

DATASHEET

TA thermal expansion valve is designed for multiple low capacity commercial refrigeration applications including showcase, cold-room, ice making machine, refrigerated truck and so on.

Key features:

- Compatible with R22, R134a and R404a
- Capacity range: 0.82 to 19.8 kW @ R22
- Stable and accurate superheat control over wide load and evaporating temperature range
- Easy and precise static superheat adjustment
- High consistency of whole cycle
- 8 exchangeable orifices cover board capacity range and give flexibility of selection
- Cleanable inlet strainer, convenient for field maintains
- Internal or external equalizer available
- Flare or brazing outlet connections available
- Stainless-steel capillary and tube give excellent durability and avoid galvanic corrosion



TA Nomenclature:

Example: TAE HCS SAE 5FT

| TA | E | H | C* | SAE | 5FT |
|--|--|---|--|--|--|
| TA Series Take-apart Adjustable | Equalizer <ul style="list-style-type: none"> • E = External • Omit for Internal | Refrigerant Code <ul style="list-style-type: none"> • H=R22 • S=R404A • M=R134a | Charge Code <ul style="list-style-type: none"> • CS=medium and low temp. • W**(MOP)=press. limiting | Connection Type & Size (Inlet x Outlet x Equalizer) <ul style="list-style-type: none"> • SAE=Flare (3/8SAE x 1/2SAE x 1/4SAE) • ODF=Solder (3/8SAE x 1/2ODF x 1/4ODF) • Omit equalizer size for internal | Capillary Tube Length <ul style="list-style-type: none"> • 5FT (STD) |



DATASHEET

TA Valve Body Selection:

| Refrigerant | PCN | Description | Charge Code | MOP | Application Temperature | Equalizer* | Inlet X Outlet X Equalizer |
|-------------|--------|-------------------|-------------|--------|-------------------------|------------|----------------------------|
| R22 | 066830 | TAE HCS SAE 5FT | HCS | - | -40°C ~ +10°C | EE 1/4 SAE | 3/8 SAE x 1/2 SAE x1/4 SAE |
| | 066831 | TA HCS SAE 5FT | HCS | | | IE - | 3/8 SAE x 1/2 SAE |
| | 066832 | TAE HCS ODF 5FT | HCS | | | EE 1/4 ODF | 3/8 SAE x 1/2 ODF x1/4 ODF |
| | 066833 | TA HCS ODF 5FT | HCS | | | IE - | 3/8 SAE x 1/2 ODF |
| | 066834 | TAE HW100 ODF 5FT | HW100 | 6.9Bar | -40°C ~ +10°C | EE 1/4 ODF | 3/8 SAE x 1/2 ODF x1/4 ODF |
| | 066835 | TA HW100 ODF 5FT | HW100 | | | IE - | 3/8 SAE x 1/2 ODF |
| | 066836 | TAE HW100 SAE 5FT | HW100 | | | EE 1/4 SAE | 3/8 SAE x 1/2 SAE x1/4 SAE |
| | 066837 | TA HW100 SAE 5FT | HW100 | | | IE - | 3/8 SAE x 1/2 SAE |
| R404a | 066838 | TAE SCS SAE 5FT | SCS | - | -40°C ~ +10°C | EE 1/4 SAE | 3/8 SAE x 1/2 SAE x1/4 SAE |
| | 066839 | TA SCS SAE 5FT | SCS | | | IE - | 3/8 SAE x 1/2 SAE |
| | 066840 | TAE SCS ODF 5FT | SCS | | | EE 1/4 ODF | 3/8 SAE x 1/2 ODF x1/4 ODF |
| | 066841 | TA SCS ODF 5FT | SCS | | | IE - | 3/8 SAE x 1/2 ODF |
| | 066842 | TAE SW75 SAE 5FT | SW75 | 5.2Bar | -40°C ~ +10°C | EE 1/4 SAE | 3/8 SAE x 1/2 SAE x1/4 SAE |
| | 066843 | TA SW75 SAE 5FT | SW75 | | | IE - | 3/8 SAE x 1/2 SAE |
| | 066844 | TAE SW75 ODF 5FT | SW75 | | | EE 1/4 ODF | 3/8 SAE x 1/2 ODF x1/4 ODF |
| | 066845 | TA SW75 ODF 5FT | SW75 | | | IE - | 3/8 SAE x 1/2 ODF |
| R134a | 066846 | TAE MC SAE 5FT | MC | - | -25°C ~ +10°C | EE 1/4 SAE | 3/8 SAE x 1/2 SAE x1/4 SAE |
| | 066847 | TA MC SAE 5FT | MC | | | IE - | 3/8 SAE x 1/2 SAE |
| | 066848 | TAE MC ODF 5FT | MC | | | EE 1/4 ODF | 3/8 SAE x 1/2 ODF x1/4 ODF |
| | 066849 | TA MC ODF 5FT | MC | | | IE - | 3/8 SAE x 1/2 ODF |
| | 066850 | TAE MW55 SAE 5FT | MW55 | 3.8Bar | -25°C ~ +10°C | EE 1/4 SAE | 3/8 SAE x 1/2 SAE x1/4 SAE |
| | 066851 | TA MW55 SAE 5FT | MW55 | | | IE - | 3/8 SAE x 1/2 SAE |
| | 066852 | TAE MW55 ODF 5FT | MW55 | | | EE 1/4 ODF | 3/8 SAE x 1/2 ODF x1/4 ODF |
| | 066853 | TA MW55 ODF 5FT | MW55 | | | IE - | 3/8 SAE x 1/2 ODF |

*EE: External Equalizer; IE: Internal Equalizer.

TA Orifice Selection:

| Orifice No. | PCN | Description | Nominal Capacity (KW)* | | |
|-------------|--------|-----------------------|------------------------|-------|-------|
| | | | R22 | R404a | R134a |
| X | 067000 | TAO-00X CAGE ASSEMBLY | 0.82 | 0.55 | 0.60 |
| 0 | 067001 | TAO-000 CAGE ASSEMBLY | 1.65 | 1.05 | 1.20 |
| 1 | 067002 | TAO-001 CAGE ASSEMBLY | 3.45 | 2.20 | 2.50 |
| 2 | 067003 | TAO-002 CAGE ASSEMBLY | 4.7 | 3.00 | 3.40 |
| 3 | 067004 | TAO-003 CAGE ASSEMBLY | 7.8 | 5.00 | 5.65 |
| 4 | 067005 | TAO-004 CAGE ASSEMBLY | 12.5 | 8.00 | 9.05 |
| 5 | 067006 | TAO-005 CAGE ASSEMBLY | 17 | 10.90 | 12.30 |
| 6 | 067007 | TAO-006 CAGE ASSEMBLY | 19.8 | 12.75 | 14.30 |

*The nominal capacities are based upon +4°C dew point evaporating temperature, +38°C bubble point condensing temperature and 1K sub-cooling per Asercom standard.

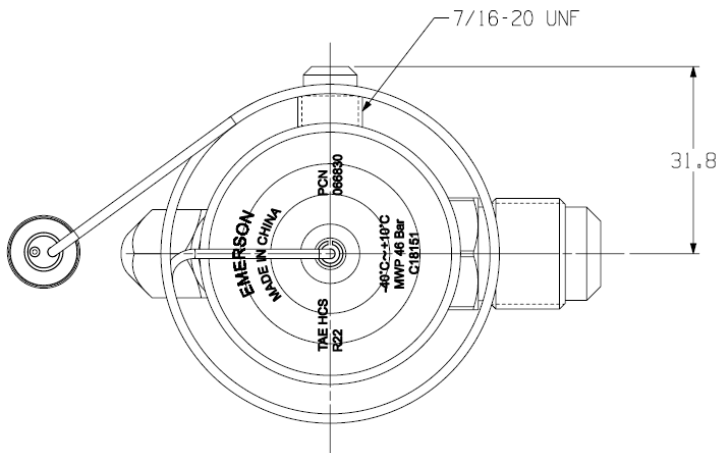
Static Superheat and Opening Superheat:

| Refrigerant | Static Superheat Range | Static Superheat Omit | Opening Superheat | K/Turn in Adjustment (Evaporation temp. = 0 °C) |
|-------------|------------------------|-----------------------|-------------------|---|
| R134a | 0~8K | 4K | 5K | ~3.4K |
| R22 | | | 4.4K | ~2.3K |
| R404A | | | 3.3K | ~1.9K |

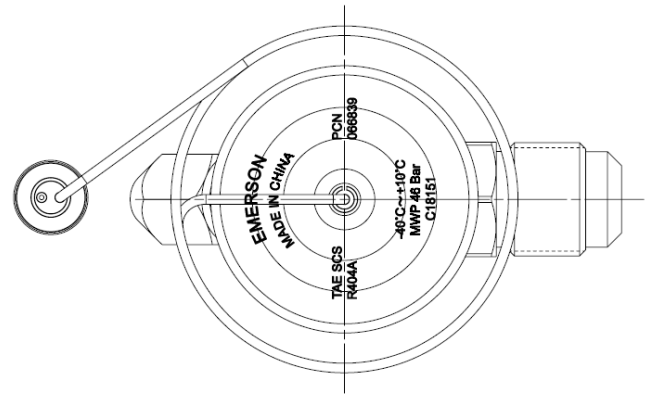
DATASHEET

Dimension (Unit: mm)

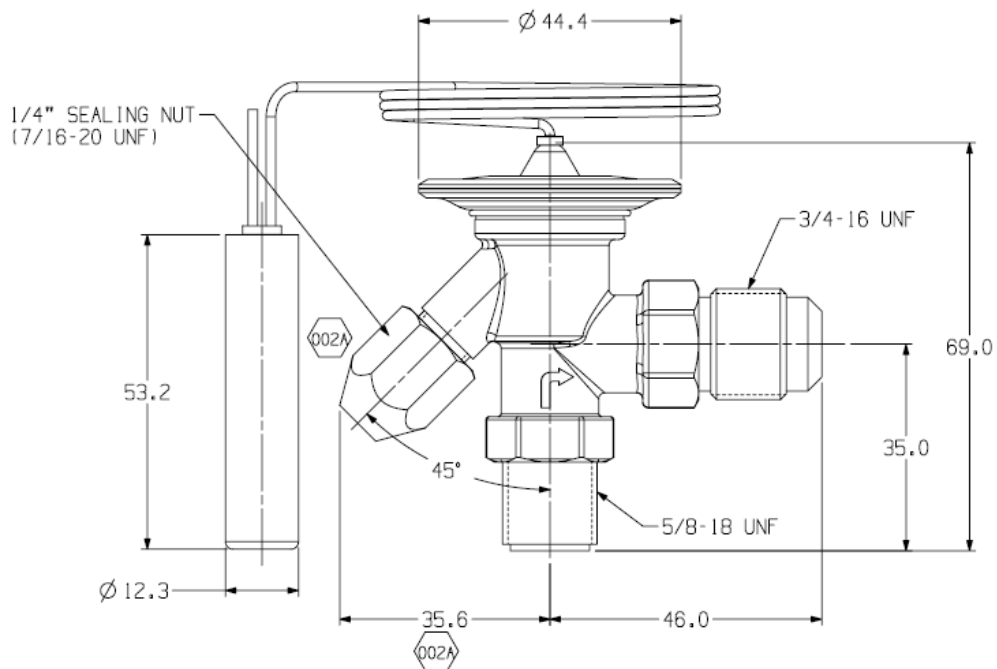
SAE x SAE:



External Equalizer Top View



Internal Equalizer Top View

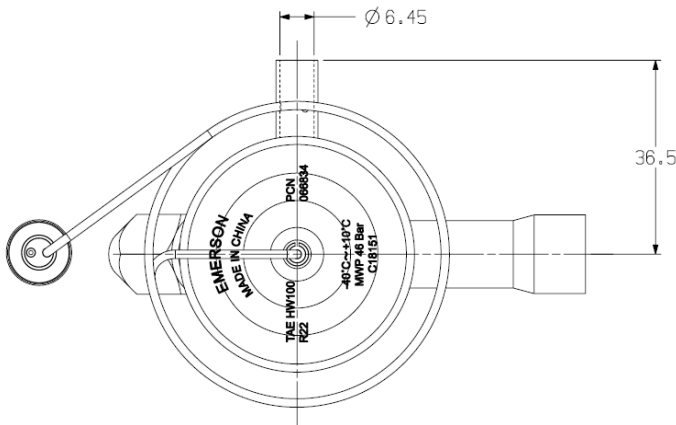


External/Internal Equalizer Front View

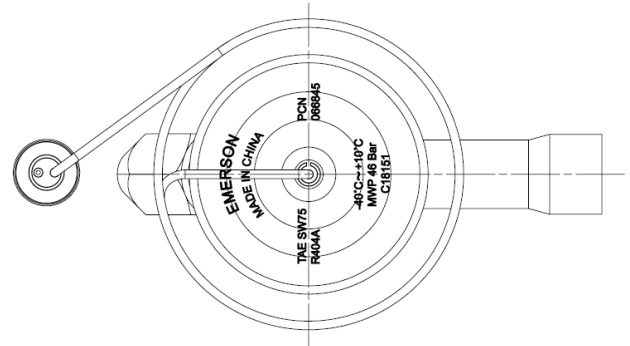
DATASHEET

Dimension (Unit: mm)

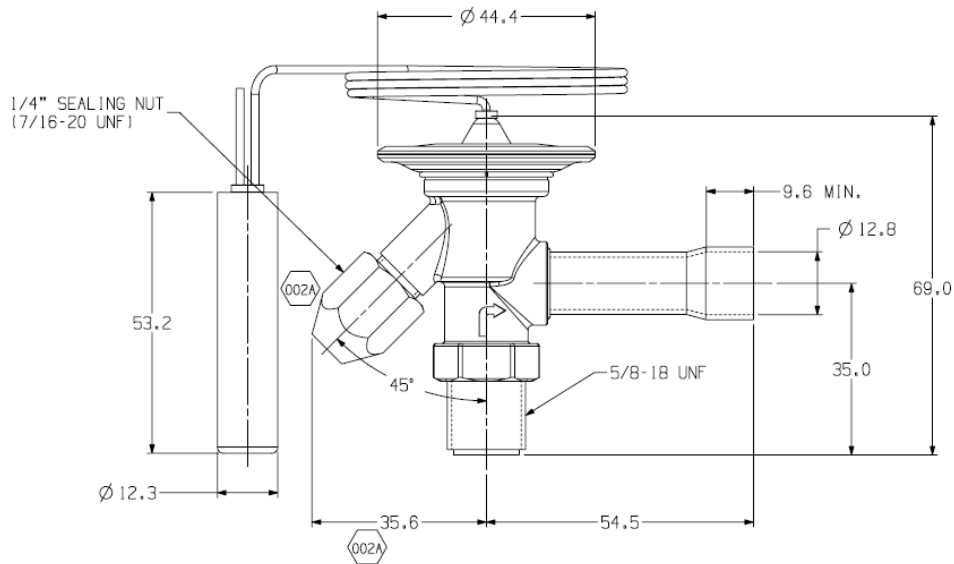
SAE x ODF:



External Equalizer Top View



Internal Equalizer Top View



External/Internal Equalizer Front View

General information:

Technical data are correct at the time of printing. Updates may occur, and should you need confirmation of a specific value, please contact Emerson clearly stating the information required.

Emerson cannot be held responsible for errors in capacities, dimensions, etc., stated herein. Products, specifications and data in this literature are subject to change without notice.

The information given herein is based on data and tests which Emerson believes to be reliable and which are in accordance with today's technical knowledge. It is intended for use by persons having the appropriate technical knowledge and skill, at their own discretion and risk.



DATASHEET

Quick Selection (Included 1.5 bar pressure drop for liquid line components and distributor)

| Condensing Temperature (°C) | R22 | | Extended Capacity (kW) | | | | | | | | | Orifice Type |
|-----------------------------|-------|-------|------------------------------|-------|-------|-------|-------|-------|-------|-------|------|--------------|
| | | | Evaporating Temperature (°C) | | | | | | | | | |
| | 10 | 5 | 0 | -5 | -10 | -15 | -20 | -25 | -30 | -35 | -40 | |
| 60 | 0.91 | 0.92 | 0.93 | 0.94 | 0.90 | 0.80 | 0.70 | 0.60 | 0.51 | 0.43 | 0.37 | TAO-00X |
| | 1.83 | 1.85 | 1.86 | 1.89 | 1.82 | 1.61 | 1.40 | 1.21 | 1.03 | 0.87 | 0.75 | TAO-000 |
| | 3.83 | 3.87 | 3.90 | 3.94 | 3.81 | 3.37 | 2.93 | 2.52 | 2.14 | 1.82 | 1.57 | TAO-001 |
| | 5.21 | 5.27 | 5.31 | 5.37 | 5.18 | 4.59 | 3.99 | 3.43 | 2.92 | 2.48 | 2.13 | TAO-002 |
| | 8.65 | 8.75 | 8.81 | 8.92 | 8.60 | 7.62 | 6.62 | 5.70 | 4.85 | 4.11 | 3.54 | TAO-003 |
| | 13.86 | 14.02 | 14.12 | 14.29 | 13.79 | 12.21 | 10.61 | 9.13 | 7.77 | 6.59 | 5.67 | TAO-004 |
| | 18.85 | 19.06 | 19.21 | 19.43 | 18.75 | 16.61 | 14.43 | 12.42 | 10.56 | 8.96 | 7.72 | TAO-005 |
| | 21.96 | 22.20 | 22.37 | 22.63 | 21.84 | 19.34 | 16.81 | 14.46 | 12.30 | 10.43 | 8.99 | TAO-006 |
| 55 | 0.89 | 0.91 | 0.92 | 0.93 | 0.91 | 0.84 | 0.70 | 0.60 | 0.51 | 0.44 | 0.38 | TAO-00X |
| | 1.79 | 1.83 | 1.85 | 1.88 | 1.82 | 1.68 | 1.41 | 1.21 | 1.04 | 0.88 | 0.76 | TAO-000 |
| | 3.75 | 3.83 | 3.87 | 3.93 | 3.82 | 3.52 | 2.95 | 2.54 | 2.16 | 1.84 | 1.59 | TAO-001 |
| | 5.10 | 5.22 | 5.28 | 5.35 | 5.20 | 4.80 | 4.01 | 3.46 | 2.95 | 2.51 | 2.17 | TAO-002 |
| | 8.47 | 8.67 | 8.75 | 8.88 | 8.63 | 7.96 | 6.66 | 5.74 | 4.89 | 4.17 | 3.60 | TAO-003 |
| | 13.58 | 13.89 | 14.03 | 14.23 | 13.82 | 12.76 | 10.67 | 9.19 | 7.84 | 6.68 | 5.76 | TAO-004 |
| | 18.46 | 18.89 | 19.08 | 19.35 | 18.80 | 17.35 | 14.52 | 12.50 | 10.67 | 9.08 | 7.84 | TAO-005 |
| | 21.50 | 22.01 | 22.22 | 22.54 | 21.90 | 20.21 | 16.91 | 14.56 | 12.42 | 10.57 | 9.13 | TAO-006 |
| 50 | 0.87 | 0.89 | 0.91 | 0.92 | 0.90 | 0.80 | 0.70 | 0.61 | 0.52 | 0.44 | 0.38 | TAO-00X |
| | 1.75 | 1.80 | 1.82 | 1.85 | 1.82 | 1.61 | 1.40 | 1.22 | 1.04 | 0.88 | 0.76 | TAO-000 |
| | 3.66 | 3.76 | 3.81 | 3.88 | 3.80 | 3.37 | 2.93 | 2.55 | 2.17 | 1.85 | 1.60 | TAO-001 |
| | 4.98 | 5.13 | 5.19 | 5.28 | 5.18 | 4.59 | 4.00 | 3.47 | 2.96 | 2.51 | 2.17 | TAO-002 |
| | 8.27 | 8.51 | 8.62 | 8.77 | 8.59 | 7.61 | 6.63 | 5.76 | 4.91 | 4.17 | 3.61 | TAO-003 |
| | 13.26 | 13.63 | 13.82 | 14.05 | 13.77 | 12.20 | 10.63 | 9.23 | 7.87 | 6.69 | 5.78 | TAO-004 |
| | 18.03 | 18.54 | 18.79 | 19.11 | 18.72 | 16.59 | 14.46 | 12.55 | 10.70 | 9.09 | 7.86 | TAO-005 |
| | 21.00 | 21.60 | 21.88 | 22.26 | 21.80 | 19.33 | 16.84 | 14.62 | 12.47 | 10.59 | 9.15 | TAO-006 |
| 45 | 0.84 | 0.87 | 0.89 | 0.90 | 0.88 | 0.79 | 0.69 | 0.60 | 0.51 | 0.44 | 0.38 | TAO-00X |
| | 1.69 | 1.74 | 1.79 | 1.81 | 1.78 | 1.59 | 1.40 | 1.20 | 1.03 | 0.88 | 0.76 | TAO-000 |
| | 3.52 | 3.65 | 3.75 | 3.79 | 3.72 | 3.33 | 2.92 | 2.52 | 2.16 | 1.84 | 1.60 | TAO-001 |
| | 4.80 | 4.97 | 5.11 | 5.17 | 5.07 | 4.54 | 3.98 | 3.43 | 2.95 | 2.51 | 2.18 | TAO-002 |
| | 7.97 | 8.25 | 8.47 | 8.57 | 8.41 | 7.54 | 6.61 | 5.70 | 4.89 | 4.17 | 3.61 | TAO-003 |
| | 12.77 | 13.22 | 13.58 | 13.74 | 13.48 | 12.08 | 10.59 | 9.13 | 7.84 | 6.68 | 5.79 | TAO-004 |
| | 17.36 | 17.98 | 18.47 | 18.69 | 18.33 | 16.43 | 14.41 | 12.41 | 10.66 | 9.09 | 7.87 | TAO-005 |
| | 20.22 | 20.94 | 21.51 | 21.77 | 21.35 | 19.13 | 16.78 | 14.46 | 12.42 | 10.58 | 9.17 | TAO-006 |
| 40 | 0.79 | 0.83 | 0.86 | 0.88 | 0.86 | 0.78 | 0.68 | 0.59 | 0.51 | 0.43 | 0.38 | TAO-00X |
| | 1.60 | 1.67 | 1.72 | 1.77 | 1.74 | 1.57 | 1.37 | 1.19 | 1.02 | 0.87 | 0.76 | TAO-000 |
| | 3.34 | 3.49 | 3.60 | 3.70 | 3.63 | 3.27 | 2.86 | 2.49 | 2.13 | 1.82 | 1.59 | TAO-001 |
| | 4.54 | 4.75 | 4.91 | 5.04 | 4.95 | 4.46 | 3.89 | 3.39 | 2.91 | 2.48 | 2.16 | TAO-002 |
| | 7.54 | 7.88 | 8.15 | 8.36 | 8.22 | 7.40 | 6.46 | 5.63 | 4.83 | 4.12 | 3.58 | TAO-003 |
| | 12.09 | 12.63 | 13.06 | 13.40 | 13.17 | 11.86 | 10.35 | 9.03 | 7.74 | 6.60 | 5.74 | TAO-004 |
| | 16.44 | 17.17 | 17.76 | 18.23 | 17.91 | 16.13 | 14.07 | 12.28 | 10.52 | 8.98 | 7.81 | TAO-005 |
| | 19.14 | 20.00 | 20.69 | 21.23 | 20.86 | 18.79 | 16.39 | 14.30 | 12.25 | 10.46 | 9.10 | TAO-006 |
| 35 | 0.74 | 0.78 | 0.82 | 0.85 | 0.84 | 0.76 | 0.67 | 0.58 | 0.50 | 0.43 | 0.37 | TAO-00X |
| | 1.49 | 1.58 | 1.65 | 1.70 | 1.69 | 1.52 | 1.34 | 1.16 | 1.01 | 0.86 | 0.75 | TAO-000 |
| | 3.12 | 3.30 | 3.45 | 3.56 | 3.54 | 3.18 | 2.81 | 2.43 | 2.11 | 1.80 | 1.57 | TAO-001 |
| | 4.25 | 4.50 | 4.70 | 4.85 | 4.83 | 4.33 | 3.82 | 3.32 | 2.87 | 2.45 | 2.14 | TAO-002 |
| | 7.05 | 7.47 | 7.79 | 8.05 | 8.01 | 7.19 | 6.34 | 5.50 | 4.76 | 4.07 | 3.55 | TAO-003 |
| | 11.30 | 11.96 | 12.49 | 12.90 | 12.84 | 11.53 | 10.16 | 8.82 | 7.63 | 6.53 | 5.68 | TAO-004 |
| | 15.37 | 16.27 | 16.98 | 17.54 | 17.46 | 15.68 | 13.82 | 11.99 | 10.38 | 8.88 | 7.73 | TAO-005 |
| | 17.91 | 18.95 | 19.78 | 20.43 | 20.33 | 18.26 | 16.10 | 13.97 | 12.09 | 10.34 | 9.00 | TAO-006 |



DATASHEET

| Condensing Temperature (°C) | R22 | | Extended Capacity (kW) | | | | | | | | | Orifice Type |
|-----------------------------|-------|-------|------------------------------|-------|-------|-------|-------|-------|-------|-------|------|--------------|
| | | | Evaporating Temperature (°C) | | | | | | | | | |
| | 10 | 5 | 0 | -5 | -10 | -15 | -20 | -25 | -30 | -35 | -40 | |
| 30 | 0.67 | 0.73 | 0.77 | 0.80 | 0.80 | 0.73 | 0.64 | 0.56 | 0.48 | 0.42 | 0.37 | TAO-00X |
| | 1.36 | 1.46 | 1.55 | 1.61 | 1.61 | 1.46 | 1.30 | 1.12 | 0.97 | 0.84 | 0.74 | TAO-000 |
| | 2.84 | 3.06 | 3.23 | 3.37 | 3.37 | 3.06 | 2.71 | 2.34 | 2.02 | 1.76 | 1.54 | TAO-001 |
| | 3.86 | 4.17 | 4.41 | 4.59 | 4.59 | 4.16 | 3.69 | 3.19 | 2.75 | 2.40 | 2.10 | TAO-002 |
| | 6.41 | 6.92 | 7.31 | 7.62 | 7.62 | 6.91 | 6.13 | 5.30 | 4.57 | 3.99 | 3.48 | TAO-003 |
| | 10.27 | 11.08 | 11.72 | 12.21 | 12.22 | 11.07 | 9.82 | 8.49 | 7.32 | 6.39 | 5.58 | TAO-004 |
| | 13.97 | 15.07 | 15.93 | 16.61 | 16.62 | 15.06 | 13.35 | 11.54 | 9.96 | 8.69 | 7.59 | TAO-005 |
| | 16.27 | 17.56 | 18.56 | 19.35 | 19.35 | 17.54 | 15.55 | 13.45 | 11.60 | 10.12 | 8.84 | TAO-006 |
| 25 | 0.59 | 0.66 | 0.72 | 0.76 | 0.77 | 0.69 | 0.62 | 0.55 | 0.47 | 0.41 | 0.36 | TAO-00X |
| | 1.19 | 1.33 | 1.45 | 1.53 | 1.54 | 1.40 | 1.25 | 1.10 | 0.95 | 0.82 | 0.72 | TAO-000 |
| | 2.50 | 2.78 | 3.03 | 3.20 | 3.22 | 2.92 | 2.61 | 2.29 | 1.99 | 1.72 | 1.50 | TAO-001 |
| | 3.40 | 3.79 | 4.13 | 4.36 | 4.39 | 3.98 | 3.55 | 3.13 | 2.71 | 2.34 | 2.04 | TAO-002 |
| | 5.65 | 6.29 | 6.85 | 7.23 | 7.29 | 6.61 | 5.90 | 5.19 | 4.50 | 3.88 | 3.39 | TAO-003 |
| | 9.05 | 10.07 | 10.98 | 11.59 | 11.68 | 10.59 | 9.45 | 8.31 | 7.21 | 6.22 | 5.43 | TAO-004 |
| | 12.31 | 13.70 | 14.93 | 15.76 | 15.88 | 14.40 | 12.85 | 11.30 | 9.81 | 8.46 | 7.38 | TAO-005 |
| | 14.34 | 15.96 | 17.39 | 18.35 | 18.50 | 16.77 | 14.97 | 13.17 | 11.42 | 9.85 | 8.60 | TAO-006 |
| 20 | 0.49 | 0.58 | 0.65 | 0.70 | 0.72 | 0.66 | 0.59 | 0.52 | 0.46 | 0.39 | 0.35 | TAO-00X |
| | 0.99 | 1.17 | 1.30 | 1.40 | 1.45 | 1.33 | 1.20 | 1.05 | 0.92 | 0.79 | 0.70 | TAO-000 |
| | 2.08 | 2.45 | 2.72 | 2.93 | 3.02 | 2.78 | 2.50 | 2.19 | 1.92 | 1.66 | 1.45 | TAO-001 |
| | 2.83 | 3.34 | 3.71 | 3.99 | 4.12 | 3.78 | 3.41 | 2.99 | 2.62 | 2.26 | 1.98 | TAO-002 |
| | 4.70 | 5.54 | 6.16 | 6.63 | 6.83 | 6.28 | 5.65 | 4.96 | 4.34 | 3.75 | 3.29 | TAO-003 |
| | 7.53 | 8.88 | 9.87 | 10.62 | 10.95 | 10.06 | 9.06 | 7.95 | 6.96 | 6.01 | 5.27 | TAO-004 |
| | 10.25 | 12.08 | 13.42 | 14.44 | 14.89 | 13.68 | 12.32 | 10.81 | 9.47 | 8.17 | 7.17 | TAO-005 |
| | 11.93 | 14.07 | 15.63 | 16.82 | 17.34 | 15.93 | 14.35 | 12.59 | 11.03 | 9.52 | 8.35 | TAO-006 |
| 15 | 0.35 | 0.49 | 0.57 | 0.63 | 0.66 | 0.62 | 0.56 | 0.50 | 0.44 | 0.38 | 0.33 | TAO-00X |
| | 0.71 | 0.98 | 1.15 | 1.27 | 1.32 | 1.24 | 1.13 | 1.00 | 0.88 | 0.76 | 0.67 | TAO-000 |
| | 1.48 | 2.04 | 2.40 | 2.67 | 2.77 | 2.59 | 2.36 | 2.09 | 1.84 | 1.59 | 1.40 | TAO-001 |
| | 2.02 | 2.78 | 3.27 | 3.63 | 3.77 | 3.53 | 3.22 | 2.84 | 2.50 | 2.17 | 1.91 | TAO-002 |
| | 3.35 | 4.61 | 5.43 | 6.03 | 6.25 | 5.85 | 5.34 | 4.72 | 4.16 | 3.60 | 3.17 | TAO-003 |
| | 5.37 | 7.39 | 8.70 | 9.66 | 10.02 | 9.38 | 8.55 | 7.56 | 6.66 | 5.76 | 5.09 | TAO-004 |
| | 7.31 | 10.06 | 11.84 | 13.13 | 13.62 | 12.75 | 11.63 | 10.29 | 9.06 | 7.84 | 6.92 | TAO-005 |
| | 8.51 | 11.71 | 13.79 | 15.30 | 15.87 | 14.86 | 13.55 | 11.98 | 10.55 | 9.13 | 8.05 | TAO-006 |
| 10 | | 0.35 | 0.47 | 0.55 | 0.60 | 0.57 | 0.52 | 0.47 | 0.41 | 0.36 | 0.32 | TAO-00X |
| | | 0.70 | 0.95 | 1.11 | 1.20 | 1.14 | 1.05 | 0.94 | 0.83 | 0.73 | 0.64 | TAO-000 |
| | | 1.46 | 1.98 | 2.32 | 2.51 | 2.38 | 2.19 | 1.97 | 1.74 | 1.52 | 1.34 | TAO-001 |
| | | 1.98 | 2.69 | 3.16 | 3.42 | 3.25 | 2.98 | 2.69 | 2.37 | 2.07 | 1.83 | TAO-002 |
| | | 3.29 | 4.47 | 5.25 | 5.68 | 5.39 | 4.95 | 4.46 | 3.93 | 3.43 | 3.04 | TAO-003 |
| | | 5.28 | 7.16 | 8.41 | 9.10 | 8.63 | 7.93 | 7.15 | 6.30 | 5.50 | 4.87 | TAO-004 |
| | | 7.17 | 9.74 | 11.44 | 12.37 | 11.74 | 10.79 | 9.73 | 8.56 | 7.48 | 6.62 | TAO-005 |
| | | 8.36 | 11.34 | 13.33 | 14.41 | 13.67 | 12.57 | 11.33 | 9.97 | 8.72 | 7.71 | TAO-006 |



DATASHEET

| Condensing Temperature (°C) | R404A | | Extended Capacity (kW) | | | | | | | | | Orifice Type |
|-----------------------------|-------|-------|------------------------------|-------|-------|-------|------|------|------|------|---------|--------------|
| | | | Evaporating Temperature (°C) | | | | | | | | | |
| | 10 | 5 | 0 | -5 | -10 | -15 | -20 | -25 | -30 | -35 | -40 | |
| 60 | 0.42 | 0.42 | 0.41 | 0.40 | 0.39 | 0.34 | 0.28 | 0.23 | 0.19 | 0.16 | 0.13 | TAO-00X |
| | 0.85 | 0.84 | 0.83 | 0.81 | 0.78 | 0.67 | 0.56 | 0.47 | 0.39 | 0.32 | 0.25 | TAO-000 |
| | 1.78 | 1.76 | 1.73 | 1.69 | 1.64 | 1.41 | 1.17 | 0.98 | 0.81 | 0.66 | 0.53 | TAO-001 |
| | 2.42 | 2.39 | 2.35 | 2.30 | 2.23 | 1.92 | 1.60 | 1.34 | 1.10 | 0.90 | 0.72 | TAO-002 |
| | 4.02 | 3.97 | 3.91 | 3.83 | 3.70 | 3.18 | 2.65 | 2.22 | 1.83 | 1.49 | 1.20 | TAO-003 |
| | 6.45 | 6.36 | 6.27 | 6.13 | 5.93 | 5.10 | 4.25 | 3.56 | 2.92 | 2.39 | 1.93 | TAO-004 |
| | 8.76 | 8.65 | 8.52 | 8.33 | 8.06 | 6.93 | 5.78 | 4.84 | 3.97 | 3.25 | 2.62 | TAO-005 |
| 10.21 | 10.08 | 9.93 | 9.71 | 9.39 | 8.07 | 6.73 | 5.63 | 4.63 | 3.79 | 3.05 | TAO-006 | |
| 55 | 0.47 | 0.47 | 0.47 | 0.46 | 0.45 | 0.39 | 0.33 | 0.28 | 0.23 | 0.19 | 0.16 | TAO-00X |
| | 0.94 | 0.94 | 0.93 | 0.92 | 0.90 | 0.78 | 0.66 | 0.56 | 0.46 | 0.38 | 0.31 | TAO-000 |
| | 1.96 | 1.97 | 1.96 | 1.93 | 1.88 | 1.64 | 1.38 | 1.16 | 0.97 | 0.81 | 0.66 | TAO-001 |
| | 2.67 | 2.68 | 2.66 | 2.62 | 2.56 | 2.23 | 1.88 | 1.58 | 1.32 | 1.10 | 0.90 | TAO-002 |
| | 4.44 | 4.45 | 4.43 | 4.36 | 4.25 | 3.71 | 3.12 | 2.63 | 2.19 | 1.82 | 1.49 | TAO-003 |
| | 7.10 | 7.13 | 7.09 | 6.98 | 6.81 | 5.94 | 5.00 | 4.21 | 3.51 | 2.92 | 2.39 | TAO-004 |
| | 9.66 | 9.70 | 9.64 | 9.49 | 9.26 | 8.07 | 6.79 | 5.73 | 4.77 | 3.97 | 3.25 | TAO-005 |
| 11.25 | 11.30 | 11.22 | 11.05 | 10.79 | 9.40 | 7.91 | 6.67 | 5.56 | 4.62 | 3.78 | TAO-006 | |
| 50 | 0.50 | 0.50 | 0.50 | 0.50 | 0.49 | 0.43 | 0.37 | 0.31 | 0.26 | 0.22 | 0.18 | TAO-00X |
| | 1.00 | 1.00 | 1.00 | 1.00 | 0.99 | 0.86 | 0.73 | 0.62 | 0.52 | 0.44 | 0.36 | TAO-000 |
| | 2.09 | 2.10 | 2.10 | 2.09 | 2.06 | 1.80 | 1.53 | 1.31 | 1.10 | 0.92 | 0.76 | TAO-001 |
| | 2.84 | 2.86 | 2.86 | 2.85 | 2.81 | 2.45 | 2.09 | 1.78 | 1.49 | 1.25 | 1.04 | TAO-002 |
| | 4.72 | 4.75 | 4.75 | 4.73 | 4.67 | 4.07 | 3.47 | 2.95 | 2.48 | 2.08 | 1.72 | TAO-003 |
| | 7.57 | 7.61 | 7.61 | 7.58 | 7.48 | 6.52 | 5.56 | 4.73 | 3.98 | 3.33 | 2.76 | TAO-004 |
| | 10.29 | 10.34 | 10.35 | 10.31 | 10.17 | 8.87 | 7.56 | 6.43 | 5.40 | 4.53 | 3.75 | TAO-005 |
| 11.98 | 12.05 | 12.05 | 12.01 | 11.84 | 10.33 | 8.80 | 7.49 | 6.29 | 5.28 | 4.36 | TAO-006 | |
| 45 | 0.51 | 0.52 | 0.53 | 0.52 | 0.52 | 0.46 | 0.39 | 0.34 | 0.28 | 0.24 | 0.20 | TAO-00X |
| | 1.02 | 1.04 | 1.05 | 1.05 | 1.04 | 0.92 | 0.78 | 0.68 | 0.57 | 0.48 | 0.40 | TAO-000 |
| | 2.14 | 2.18 | 2.20 | 2.20 | 2.18 | 1.92 | 1.64 | 1.41 | 1.19 | 1.01 | 0.84 | TAO-001 |
| | 2.92 | 2.97 | 3.00 | 2.99 | 2.97 | 2.62 | 2.23 | 1.92 | 1.62 | 1.37 | 1.14 | TAO-002 |
| | 4.85 | 4.93 | 4.98 | 4.97 | 4.93 | 4.35 | 3.71 | 3.20 | 2.70 | 2.27 | 1.90 | TAO-003 |
| | 7.76 | 7.90 | 7.98 | 7.96 | 7.90 | 6.96 | 5.95 | 5.12 | 4.32 | 3.64 | 3.04 | TAO-004 |
| | 10.55 | 10.74 | 10.85 | 10.82 | 10.74 | 9.47 | 8.08 | 6.96 | 5.88 | 4.95 | 4.13 | TAO-005 |
| 12.29 | 12.51 | 12.64 | 12.60 | 12.51 | 11.03 | 9.42 | 8.11 | 6.84 | 5.77 | 4.81 | TAO-006 | |
| 40 | 0.51 | 0.52 | 0.53 | 0.54 | 0.54 | 0.48 | 0.41 | 0.36 | 0.30 | 0.26 | 0.21 | TAO-00X |
| | 1.01 | 1.05 | 1.07 | 1.08 | 1.08 | 0.96 | 0.82 | 0.71 | 0.60 | 0.51 | 0.43 | TAO-000 |
| | 2.13 | 2.20 | 2.23 | 2.27 | 2.25 | 2.01 | 1.72 | 1.49 | 1.27 | 1.07 | 0.90 | TAO-001 |
| | 2.89 | 2.99 | 3.04 | 3.09 | 3.07 | 2.73 | 2.34 | 2.03 | 1.72 | 1.46 | 1.22 | TAO-002 |
| | 4.81 | 4.97 | 5.05 | 5.13 | 5.10 | 4.54 | 3.89 | 3.37 | 2.86 | 2.43 | 2.03 | TAO-003 |
| | 7.70 | 7.96 | 8.08 | 8.22 | 8.17 | 7.27 | 6.23 | 5.39 | 4.59 | 3.89 | 3.25 | TAO-004 |
| | 10.46 | 10.83 | 10.99 | 11.17 | 11.10 | 9.89 | 8.46 | 7.33 | 6.24 | 5.29 | 4.42 | TAO-005 |
| 12.19 | 12.61 | 12.80 | 13.01 | 12.93 | 11.52 | 9.86 | 8.54 | 7.26 | 6.16 | 5.15 | TAO-006 | |
| 35 | 0.50 | 0.52 | 0.54 | 0.54 | 0.55 | 0.49 | 0.42 | 0.37 | 0.31 | 0.27 | 0.22 | TAO-00X |
| | 0.99 | 1.04 | 1.07 | 1.08 | 1.10 | 0.98 | 0.84 | 0.73 | 0.63 | 0.53 | 0.45 | TAO-000 |
| | 2.08 | 2.17 | 2.24 | 2.27 | 2.30 | 2.05 | 1.77 | 1.54 | 1.31 | 1.12 | 0.94 | TAO-001 |
| | 2.82 | 2.95 | 3.05 | 3.09 | 3.13 | 2.79 | 2.41 | 2.09 | 1.78 | 1.52 | 1.28 | TAO-002 |
| | 4.69 | 4.91 | 5.07 | 5.13 | 5.21 | 4.63 | 4.00 | 3.48 | 2.96 | 2.52 | 2.12 | TAO-003 |
| | 7.52 | 7.87 | 8.12 | 8.22 | 8.34 | 7.42 | 6.40 | 5.57 | 4.74 | 4.04 | 3.40 | TAO-004 |
| | 10.22 | 10.69 | 11.04 | 11.17 | 11.34 | 10.09 | 8.70 | 7.58 | 6.45 | 5.50 | 4.62 | TAO-005 |
| 11.91 | 12.45 | 12.86 | 13.01 | 13.21 | 11.75 | 10.14 | 8.83 | 7.51 | 6.40 | 5.39 | TAO-006 | |



DATASHEET

| Condensing Temperature (°C) | R404A | | Extended Capacity (kW) | | | | | | | | | Orifice Type |
|-----------------------------|-------|-------|------------------------------|-------|-------|-------|------|------|------|------|---------|--------------|
| | | | Evaporating Temperature (°C) | | | | | | | | | |
| | 10 | 5 | 0 | -5 | -10 | -15 | -20 | -25 | -30 | -35 | -40 | |
| 30 | 0.47 | 0.50 | 0.52 | 0.54 | 0.55 | 0.49 | 0.43 | 0.37 | 0.32 | 0.27 | 0.23 | TAO-00X |
| | 0.94 | 1.00 | 1.04 | 1.07 | 1.09 | 0.98 | 0.85 | 0.75 | 0.64 | 0.55 | 0.46 | TAO-000 |
| | 1.96 | 2.09 | 2.18 | 2.24 | 2.29 | 2.06 | 1.79 | 1.56 | 1.34 | 1.15 | 0.97 | TAO-001 |
| | 2.67 | 2.84 | 2.96 | 3.05 | 3.11 | 2.80 | 2.43 | 2.12 | 1.82 | 1.56 | 1.32 | TAO-002 |
| | 4.43 | 4.72 | 4.93 | 5.07 | 5.18 | 4.66 | 4.04 | 3.53 | 3.03 | 2.60 | 2.20 | TAO-003 |
| | 7.10 | 7.56 | 7.89 | 8.13 | 8.29 | 7.47 | 6.48 | 5.66 | 4.86 | 4.16 | 3.52 | TAO-004 |
| | 9.65 | 10.27 | 10.72 | 11.05 | 11.27 | 10.15 | 8.81 | 7.69 | 6.60 | 5.66 | 4.78 | TAO-005 |
| 11.24 | 11.96 | 12.49 | 12.87 | 13.13 | 11.82 | 10.26 | 8.95 | 7.69 | 6.59 | 5.57 | TAO-006 | |
| 25 | 0.43 | 0.47 | 0.50 | 0.52 | 0.54 | 0.49 | 0.43 | 0.37 | 0.32 | 0.28 | 0.24 | TAO-00X |
| | 0.85 | 0.93 | 1.00 | 1.04 | 1.07 | 0.97 | 0.85 | 0.74 | 0.64 | 0.55 | 0.47 | TAO-000 |
| | 1.78 | 1.95 | 2.10 | 2.19 | 2.25 | 2.04 | 1.79 | 1.56 | 1.35 | 1.16 | 0.99 | TAO-001 |
| | 2.43 | 2.66 | 2.86 | 2.98 | 3.06 | 2.77 | 2.43 | 2.12 | 1.83 | 1.58 | 1.34 | TAO-002 |
| | 4.03 | 4.42 | 4.75 | 4.95 | 5.09 | 4.61 | 4.04 | 3.52 | 3.05 | 2.63 | 2.23 | TAO-003 |
| | 6.46 | 7.08 | 7.61 | 7.92 | 8.14 | 7.38 | 6.46 | 5.64 | 4.89 | 4.21 | 3.57 | TAO-004 |
| | 8.79 | 9.62 | 10.34 | 10.77 | 11.07 | 10.03 | 8.79 | 7.66 | 6.64 | 5.72 | 4.85 | TAO-005 |
| 10.23 | 11.20 | 12.04 | 12.54 | 12.90 | 11.69 | 10.24 | 8.93 | 7.73 | 6.66 | 5.65 | TAO-006 | |
| 20 | 0.36 | 0.42 | 0.47 | 0.49 | 0.52 | 0.47 | 0.42 | 0.37 | 0.32 | 0.28 | 0.24 | TAO-00X |
| | 0.73 | 0.84 | 0.93 | 0.99 | 1.04 | 0.94 | 0.84 | 0.74 | 0.64 | 0.55 | 0.47 | TAO-000 |
| | 1.52 | 1.76 | 1.95 | 2.06 | 2.17 | 1.97 | 1.75 | 1.54 | 1.34 | 1.16 | 0.99 | TAO-001 |
| | 2.07 | 2.39 | 2.65 | 2.81 | 2.96 | 2.68 | 2.38 | 2.10 | 1.83 | 1.58 | 1.34 | TAO-002 |
| | 3.45 | 3.98 | 4.41 | 4.67 | 4.91 | 4.45 | 3.96 | 3.49 | 3.04 | 2.62 | 2.23 | TAO-003 |
| | 5.52 | 6.37 | 7.06 | 7.48 | 7.87 | 7.13 | 6.34 | 5.58 | 4.86 | 4.19 | 3.57 | TAO-004 |
| | 7.51 | 8.67 | 9.59 | 10.16 | 10.70 | 9.69 | 8.62 | 7.59 | 6.61 | 5.70 | 4.86 | TAO-005 |
| 8.74 | 10.09 | 11.17 | 11.84 | 12.46 | 11.29 | 10.04 | 8.84 | 7.70 | 6.64 | 5.66 | TAO-006 | |
| 15 | 0.27 | 0.36 | 0.42 | 0.46 | 0.49 | 0.45 | 0.40 | 0.36 | 0.31 | 0.27 | 0.23 | TAO-00X |
| | 0.54 | 0.72 | 0.84 | 0.92 | 0.98 | 0.90 | 0.81 | 0.72 | 0.63 | 0.55 | 0.47 | TAO-000 |
| | 1.13 | 1.51 | 1.76 | 1.92 | 2.05 | 1.89 | 1.69 | 1.50 | 1.32 | 1.14 | 0.98 | TAO-001 |
| | 1.54 | 2.05 | 2.39 | 2.61 | 2.80 | 2.57 | 2.31 | 2.04 | 1.79 | 1.55 | 1.33 | TAO-002 |
| | 2.57 | 3.41 | 3.98 | 4.34 | 4.65 | 4.27 | 3.83 | 3.39 | 2.98 | 2.58 | 2.21 | TAO-003 |
| | 4.11 | 5.46 | 6.37 | 6.95 | 7.44 | 6.84 | 6.14 | 5.43 | 4.77 | 4.14 | 3.55 | TAO-004 |
| | 5.59 | 7.42 | 8.66 | 9.44 | 10.12 | 9.30 | 8.34 | 7.38 | 6.49 | 5.63 | 4.82 | TAO-005 |
| 6.51 | 8.64 | 10.09 | 11.00 | 11.78 | 10.83 | 9.72 | 8.60 | 7.56 | 6.55 | 5.62 | TAO-006 | |
| 10 | 0.08 | 0.27 | 0.36 | 0.41 | 0.45 | 0.42 | 0.39 | 0.35 | 0.30 | 0.27 | 0.23 | TAO-00X |
| | 0.17 | 0.54 | 0.71 | 0.82 | 0.90 | 0.85 | 0.77 | 0.69 | 0.61 | 0.53 | 0.46 | TAO-000 |
| | 0.35 | 1.12 | 1.49 | 1.71 | 1.89 | 1.77 | 1.61 | 1.45 | 1.27 | 1.11 | 0.96 | TAO-001 |
| | 0.48 | 1.53 | 2.03 | 2.33 | 2.57 | 2.41 | 2.20 | 1.98 | 1.73 | 1.51 | 1.30 | TAO-002 |
| | 0.79 | 2.54 | 3.37 | 3.87 | 4.27 | 4.01 | 3.65 | 3.29 | 2.88 | 2.52 | 2.17 | TAO-003 |
| | 1.27 | 4.07 | 5.39 | 6.20 | 6.83 | 6.43 | 5.85 | 5.27 | 4.61 | 4.03 | 3.47 | TAO-004 |
| | 1.73 | 5.53 | 7.33 | 8.42 | 9.29 | 8.74 | 7.95 | 7.16 | 6.27 | 5.48 | 4.72 | TAO-005 |
| 2.01 | 6.44 | 8.54 | 9.81 | 10.82 | 10.18 | 9.26 | 8.34 | 7.30 | 6.38 | 5.49 | TAO-006 | |



DATASHEET

| Condensing Temperature (°C) | R134a | | Extended Capacity (kW) | | | | | | Orifice Type |
|-----------------------------|-------|-------|------------------------------|-------|-------|-------|-------|------|--------------|
| | | | Evaporating Temperature (°C) | | | | | | |
| | 10 | 5 | 0 | -5 | -10 | -15 | -20 | -25 | |
| 60 | 0.63 | 0.63 | 0.63 | 0.62 | 0.61 | 0.53 | 0.45 | 0.38 | TAO-00X |
| | 1.27 | 1.28 | 1.27 | 1.25 | 1.24 | 1.06 | 0.90 | 0.77 | TAO-000 |
| | 2.66 | 2.67 | 2.65 | 2.62 | 2.59 | 2.22 | 1.88 | 1.61 | TAO-001 |
| | 3.64 | 3.65 | 3.62 | 3.58 | 3.54 | 3.03 | 2.57 | 2.19 | TAO-002 |
| | 6.04 | 6.05 | 6.00 | 5.94 | 5.86 | 5.02 | 4.27 | 3.64 | TAO-003 |
| | 9.67 | 9.70 | 9.62 | 9.52 | 9.40 | 8.05 | 6.84 | 5.83 | TAO-004 |
| | 13.15 | 13.19 | 13.08 | 12.94 | 12.78 | 10.94 | 9.30 | 7.93 | TAO-005 |
| | 15.32 | 15.37 | 15.24 | 15.08 | 14.89 | 12.75 | 10.83 | 9.24 | TAO-006 |
| 55 | 0.63 | 0.63 | 0.63 | 0.63 | 0.62 | 0.54 | 0.46 | 0.39 | TAO-00X |
| | 1.27 | 1.28 | 1.28 | 1.26 | 1.26 | 1.08 | 0.92 | 0.79 | TAO-000 |
| | 2.66 | 2.67 | 2.67 | 2.64 | 2.63 | 2.27 | 1.93 | 1.65 | TAO-001 |
| | 3.63 | 3.65 | 3.65 | 3.61 | 3.59 | 3.10 | 2.64 | 2.25 | TAO-002 |
| | 6.02 | 6.05 | 6.05 | 5.99 | 5.96 | 5.14 | 4.38 | 3.73 | TAO-003 |
| | 9.64 | 9.69 | 9.70 | 9.60 | 9.55 | 8.23 | 7.01 | 5.98 | TAO-004 |
| | 13.11 | 13.18 | 13.19 | 13.05 | 12.98 | 11.19 | 9.53 | 8.13 | TAO-005 |
| | 15.27 | 15.35 | 15.37 | 15.21 | 15.13 | 13.04 | 11.11 | 9.47 | TAO-006 |
| 50 | 0.62 | 0.63 | 0.63 | 0.63 | 0.63 | 0.54 | 0.46 | 0.40 | TAO-00X |
| | 1.24 | 1.27 | 1.27 | 1.27 | 1.26 | 1.09 | 0.93 | 0.80 | TAO-000 |
| | 2.60 | 2.65 | 2.66 | 2.65 | 2.64 | 2.29 | 1.95 | 1.67 | TAO-001 |
| | 3.55 | 3.62 | 3.63 | 3.62 | 3.61 | 3.12 | 2.66 | 2.29 | TAO-002 |
| | 5.89 | 6.00 | 6.02 | 6.01 | 5.98 | 5.18 | 4.41 | 3.79 | TAO-003 |
| | 9.45 | 9.61 | 9.64 | 9.63 | 9.59 | 8.30 | 7.07 | 6.08 | TAO-004 |
| | 12.84 | 13.07 | 13.11 | 13.10 | 13.04 | 11.28 | 9.61 | 8.26 | TAO-005 |
| | 14.96 | 15.23 | 15.28 | 15.26 | 15.19 | 13.14 | 11.20 | 9.63 | TAO-006 |
| 45 | 0.60 | 0.61 | 0.62 | 0.62 | 0.62 | 0.54 | 0.46 | 0.40 | TAO-00X |
| | 1.20 | 1.23 | 1.25 | 1.25 | 1.26 | 1.09 | 0.94 | 0.80 | TAO-000 |
| | 2.52 | 2.58 | 2.62 | 2.62 | 2.64 | 2.28 | 1.96 | 1.68 | TAO-001 |
| | 3.44 | 3.52 | 3.57 | 3.58 | 3.60 | 3.11 | 2.67 | 2.30 | TAO-002 |
| | 5.70 | 5.84 | 5.93 | 5.94 | 5.97 | 5.16 | 4.43 | 3.81 | TAO-003 |
| | 9.14 | 9.35 | 9.50 | 9.52 | 9.57 | 8.27 | 7.11 | 6.11 | TAO-004 |
| | 12.42 | 12.72 | 12.92 | 12.94 | 13.01 | 11.24 | 9.66 | 8.31 | TAO-005 |
| | 14.47 | 14.82 | 15.05 | 15.07 | 15.16 | 13.09 | 11.26 | 9.68 | TAO-006 |
| 40 | 0.57 | 0.59 | 0.60 | 0.61 | 0.61 | 0.53 | 0.46 | 0.40 | TAO-00X |
| | 1.16 | 1.19 | 1.22 | 1.23 | 1.24 | 1.08 | 0.93 | 0.80 | TAO-000 |
| | 2.42 | 2.50 | 2.55 | 2.56 | 2.59 | 2.25 | 1.95 | 1.68 | TAO-001 |
| | 3.30 | 3.41 | 3.48 | 3.50 | 3.53 | 3.08 | 2.66 | 2.29 | TAO-002 |
| | 5.48 | 5.65 | 5.78 | 5.81 | 5.86 | 5.11 | 4.41 | 3.80 | TAO-003 |
| | 8.78 | 9.06 | 9.26 | 9.31 | 9.39 | 8.18 | 7.07 | 6.09 | TAO-004 |
| | 11.94 | 12.32 | 12.59 | 12.65 | 12.76 | 11.12 | 9.61 | 8.28 | TAO-005 |
| | 13.91 | 14.36 | 14.67 | 14.74 | 14.87 | 12.96 | 11.20 | 9.65 | TAO-006 |
| 35 | 0.53 | 0.56 | 0.58 | 0.59 | 0.60 | 0.52 | 0.45 | 0.39 | TAO-00X |
| | 1.08 | 1.14 | 1.17 | 1.20 | 1.21 | 1.06 | 0.91 | 0.79 | TAO-000 |
| | 2.25 | 2.38 | 2.45 | 2.50 | 2.53 | 2.21 | 1.91 | 1.66 | TAO-001 |
| | 3.08 | 3.25 | 3.35 | 3.42 | 3.46 | 3.02 | 2.61 | 2.26 | TAO-002 |
| | 5.11 | 5.39 | 5.55 | 5.67 | 5.74 | 5.01 | 4.33 | 3.75 | TAO-003 |
| | 8.18 | 8.64 | 8.90 | 9.08 | 9.20 | 8.03 | 6.94 | 6.01 | TAO-004 |
| | 11.13 | 11.74 | 12.10 | 12.34 | 12.50 | 10.92 | 9.44 | 8.17 | TAO-005 |
| | 12.96 | 13.68 | 14.10 | 14.38 | 14.57 | 12.73 | 11.00 | 9.52 | TAO-006 |



DATASHEET

| Condensing Temperature (°C) | R134a | | Extended Capacity (kW) | | | | | | Orifice Type |
|-----------------------------|-------|-------|------------------------------|-------|-------|-------|------|---------|--------------|
| | | | Evaporating Temperature (°C) | | | | | | |
| | 10 | 5 | 0 | -5 | -10 | -15 | -20 | -25 | |
| 30 | 0.49 | 0.53 | 0.55 | 0.56 | 0.57 | 0.51 | 0.44 | 0.38 | TAO-00X |
| | 0.99 | 1.06 | 1.11 | 1.14 | 1.16 | 1.03 | 0.89 | 0.78 | TAO-000 |
| | 2.06 | 2.22 | 2.31 | 2.38 | 2.43 | 2.15 | 1.86 | 1.62 | TAO-001 |
| | 2.82 | 3.03 | 3.16 | 3.25 | 3.31 | 2.94 | 2.54 | 2.22 | TAO-002 |
| | 4.67 | 5.03 | 5.24 | 5.39 | 5.49 | 4.87 | 4.22 | 3.68 | TAO-003 |
| | 7.49 | 8.06 | 8.40 | 8.64 | 8.80 | 7.81 | 6.76 | 5.90 | TAO-004 |
| | 10.18 | 10.95 | 11.42 | 11.75 | 11.97 | 10.62 | 9.19 | 8.01 | TAO-005 |
| 11.87 | 12.76 | 13.31 | 13.69 | 13.95 | 12.37 | 10.71 | 9.34 | TAO-006 | |
| 25 | 0.43 | 0.48 | 0.51 | 0.53 | 0.55 | 0.49 | 0.43 | 0.37 | TAO-00X |
| | 0.88 | 0.97 | 1.03 | 1.07 | 1.12 | 0.99 | 0.86 | 0.76 | TAO-000 |
| | 1.83 | 2.03 | 2.16 | 2.25 | 2.33 | 2.06 | 1.81 | 1.58 | TAO-001 |
| | 2.50 | 2.78 | 2.95 | 3.07 | 3.19 | 2.82 | 2.47 | 2.16 | TAO-002 |
| | 4.15 | 4.61 | 4.89 | 5.09 | 5.29 | 4.68 | 4.10 | 3.58 | TAO-003 |
| | 6.66 | 7.38 | 7.84 | 8.16 | 8.47 | 7.50 | 6.57 | 5.74 | TAO-004 |
| | 9.05 | 10.04 | 10.66 | 11.10 | 11.52 | 10.19 | 8.93 | 7.80 | TAO-005 |
| 10.54 | 11.70 | 12.42 | 12.93 | 13.42 | 11.88 | 10.41 | 9.09 | TAO-006 | |
| 20 | 0.36 | 0.42 | 0.46 | 0.48 | 0.52 | 0.47 | 0.41 | 0.36 | TAO-00X |
| | 0.73 | 0.85 | 0.94 | 0.97 | 1.04 | 0.94 | 0.82 | 0.73 | TAO-000 |
| | 1.52 | 1.79 | 1.96 | 2.03 | 2.18 | 1.97 | 1.72 | 1.52 | TAO-001 |
| | 2.08 | 2.44 | 2.67 | 2.77 | 2.98 | 2.69 | 2.35 | 2.08 | TAO-002 |
| | 3.45 | 4.05 | 4.43 | 4.59 | 4.94 | 4.47 | 3.91 | 3.45 | TAO-003 |
| | 5.53 | 6.49 | 7.10 | 7.36 | 7.92 | 7.16 | 6.26 | 5.53 | TAO-004 |
| | 7.51 | 8.82 | 9.66 | 10.01 | 10.76 | 9.73 | 8.51 | 7.52 | TAO-005 |
| 8.75 | 10.28 | 11.25 | 11.66 | 12.54 | 11.34 | 9.92 | 8.76 | TAO-006 | |
| 15 | 0.26 | 0.35 | 0.41 | 0.45 | 0.48 | 0.44 | 0.39 | 0.34 | TAO-00X |
| | 0.52 | 0.71 | 0.82 | 0.91 | 0.96 | 0.88 | 0.78 | 0.69 | TAO-000 |
| | 1.10 | 1.48 | 1.72 | 1.90 | 2.01 | 1.85 | 1.63 | 1.45 | TAO-001 |
| | 1.50 | 2.03 | 2.35 | 2.60 | 2.75 | 2.53 | 2.23 | 1.98 | TAO-002 |
| | 2.48 | 3.36 | 3.89 | 4.31 | 4.56 | 4.19 | 3.70 | 3.29 | TAO-003 |
| | 3.98 | 5.39 | 6.24 | 6.90 | 7.30 | 6.71 | 5.93 | 5.27 | TAO-004 |
| | 5.41 | 7.33 | 8.49 | 9.38 | 9.93 | 9.13 | 8.06 | 7.17 | TAO-005 |
| 6.31 | 8.54 | 9.89 | 10.93 | 11.57 | 10.64 | 9.39 | 8.35 | TAO-006 | |
| 10 | | 0.25 | 0.34 | 0.40 | 0.43 | 0.40 | 0.36 | 0.32 | TAO-00X |
| | | 0.50 | 0.68 | 0.80 | 0.87 | 0.81 | 0.73 | 0.65 | TAO-000 |
| | | 1.06 | 1.43 | 1.67 | 1.82 | 1.70 | 1.53 | 1.37 | TAO-001 |
| | | 1.44 | 1.95 | 2.28 | 2.49 | 2.32 | 2.09 | 1.87 | TAO-002 |
| | | 2.39 | 3.23 | 3.79 | 4.13 | 3.84 | 3.47 | 3.09 | TAO-003 |
| | | 3.83 | 5.18 | 6.07 | 6.61 | 6.16 | 5.57 | 4.96 | TAO-004 |
| | | 5.21 | 7.05 | 8.25 | 8.99 | 8.37 | 7.57 | 6.74 | TAO-005 |
| | 6.07 | 8.21 | 9.61 | 10.47 | 9.75 | 8.82 | 7.86 | TAO-006 | |