

Copeland Air Cooled Condensing Units

With Reciprocating & Scroll Compressors For Cold Chain Applications



Copeland[™]
brand products


EMERSON[™]
Climate Technologies



Headquarters in St. Louis, Mo.



Manufacturing Plant at Atit, India

Emerson Climate Technologies

Be it residential, industrial or commercial applications, Emerson Climate Technologies, is the world's leading provider of heating, air-conditioning and refrigeration solutions. The group combines best-in-class technology with proven engineering, design, distribution, educational and monitoring services to provide customized, integrated climate-control solutions for customers worldwide. Emerson Climate Technologies' innovative solutions, including industry-leading brand Copeland Scroll™, improve human comfort, safeguard food and protect the environment.

For more information, visit

www.EmersonClimate.com/Asia

Emerson Cold Chain & Distribution Center

A state-of-the-art, 25,000 square-meter facility, Emerson Cold Chain & Distribution Center is situated in Chakan. The center showcases the wide range of technology and service solutions available for the cold chain industry from Emerson. It also serves as a training center to help

contractors on product selection and technology options appropriate for various refrigeration applications.

State-Of-The-Art Manufacturing Facilities

With increasing demand for locally built branded products & growing focus on Cold Chain, we have setup a world-class assembly line capable of building Condensing Units with reciprocating, semi-hermetic, & scroll technology. With this new facility in Chakan, we will be able to reduce the delivery time and extend after-sales support in a better way.

Our products are 100% factory tested & unmatched in reliability, performance and energy efficiency. The layout and the performance of the Condensing Units is optimized using CAE facilities. The components are sourced internationally and have been subjected to stringent Qualification Standards of Emerson Climate Technologies. The performance of Condensing Units is validated by testing in a suitable appliance at an ambient of 46° C. The countrywide Sales and Service network of Emerson Climate Technologies (India) Limited, is positioned to provide prompt service to our customers.



Cold Chain & Distribution Center



Condensing Unit Assembly Line

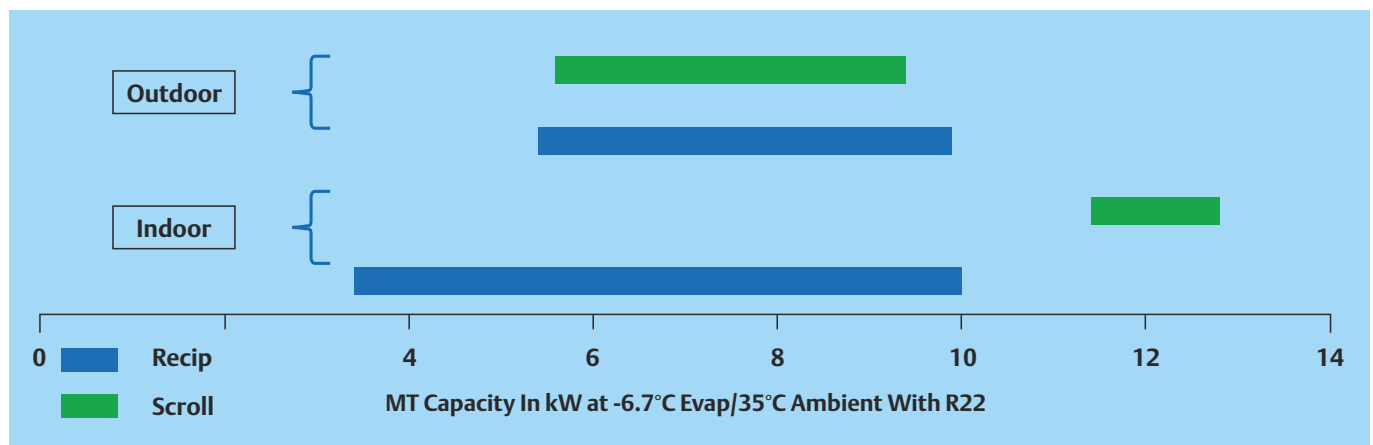
Complete Range for Cold Chain

The Integral Horse Power Condensing Units provide perfect cooling, creating value for its users. These Condensing Units cater to all cold chain applications including milk-cooling, fruits & vegetable, meat / poultry cold storage, fishery and food services. Our Condensing Units have been successfully adopted in the Indian market

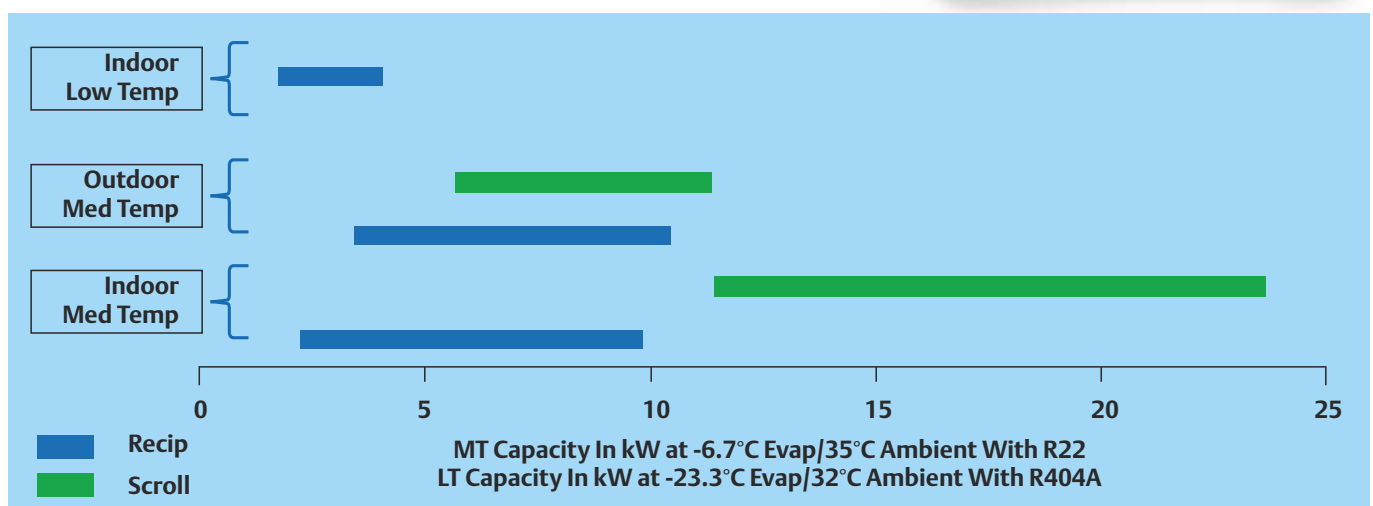
and enjoy proven success with its robust and reliable design. These CDU's have been applied by several well known end-users in the Dairy sector and Process chilling space in India.



Bulk Milk Cooling Tanks



Cold Room Applications



Choice Is Yours: Indoor & Outdoor Type Condensing Units

Indoor



Simple & Rugged Design

- Proven reliability of our units; running successfully even in the most demanding conditions
- Comes with a robust & silent fan suited for high ambient conditions

Greater Serviceability

- Layout of components, tubing and electrical connections done to facilitate easy serviceability in field
- Simple design to facilitate easy handling by unskilled workers

Option Of Weather Housing

- Weather proof housing option available with indoor units on customer requirement

Outdoor



Tropicalized Design

- Large condenser face area & higher CFM for elevated ambient conditions
- Designed to operate at maximum ambient of 46°C

Compact & Sleek

- Outdoor type units are aesthetically designed to give it a sleek look. The body is powder coated to give it a smoother finish
- Much more compact in terms of design with 30% lesser footprint compared to Indoor units

Complete Protection Against Rain & Dust

- Outdoor units come with a standard weather proof housing which can withstand extreme climatic conditions

Silent In Operation

- Fitted with a low noise fan for quiet operations

Features Common To Both Indoor & Outdoor Type Units

Customized For Market

- Comes with factory installed components according to market requirements
- Customized units available for bulk milk coolers, cold room applications

Choice of Compressor Technology/ Refrigerant

- Option to choose Scroll or Reciprocating Compressor Technology
- Models available in R134A/R22/R404A

Wide Operating Envelope

- Robust and efficient operation from -12.2°C to 12.8°C evaporating temperature
- Wide range of applications from positive temperature Cold Rooms, Milk Chilling to Industrial Chillers

Nationwide Network

- Supported by an extensive Sales and Service network across India

CDU Family	
Code	Description
KH	IHP Condensing Units
KF	FHP Condensing Units

Capacity
First two digits in Cooling Capacity at 60Hz (Btu/hr)

CDU Design
Mentions Variant

Q: Outdoor Type CDU
X (Rest): Indoor Type CDU

Refrigerant	
Code	Description
B	R407C
C	R410A
E	R22
G	R134A
H	HC
L	R404A

Motor Circuit	
Code	Description
1	RSIR
2	CSIR
3	CSCR
4	PSC
5	3 Phase
6	RSIR with PTC
7	CSIR with PTC
8	CSCR with PTC
9	PSC with PTC

KH □ □ □ □ □ □ □ □ □ □ □ □

Scope of Supply

Voltage Range	
Code	Description
A	230V(150-160), 50Hz, 1ph
B	230V(180-260), 50Hz, 1ph
C	230V(198-264), 50Hz, 1ph
D	400V(360-460), 50Hz, 3ph
E	400V(342-460), 50Hz, 3ph
F	400V(198-264), 50Hz, 3ph

Compressor Family	
Code	Description
R	CR Compressor
Z	ZB Compressor
M	KCM Compressor
N	KCN Compressor
E	KCE Compressor
J	KCJ Compressor

Capacity
Total no of digits in Cooling Capacity at 60Hz (Btu/hr)

Application	
Code	Description
M	Milk Cooling
P	Process Chilling & Cold Rooms
L	Frozen Food Applications



Process Chilling & Cold Rooms

Complete Range for Medium Temperature Applications

Available from 1 to 12HP covering various segments like Cold Rooms, Banana Ripening, Fruits / Vegetables, Pharmaceutical, Industrial Chillers in Plastic / Rubber Industry.

- 2 to 20 kW In R22
- 3.5 to 25 kW In R404A
- 2 to 8 kW In R134A

Indoor Type -Process Chilling & Cold Rooms

RECIPROCATING		Performance at -6.7°C Evap/35°C Ambient			Refrigeration Capacity (in W)						
Model	Nominal HP	Capacity (W)	Power (W)	COP (W/W)	Evap. Temp. / Ambient. Temp. (°C)	-15.0	-12.2	-6.7	-1.1	4.4	7.2
R134A - 1 Phase											
KHM511PAG-BX	1.1	2077	769	2.70	35	980	1485	2077	2775	3602	4054
					43	---	1229	1747	2359	3090	3547
					46	---	---	1647	2238	2945	3377
KHM514PAG-BX	1.5	2508	1176	2.13	35	1194	1809	2508	3345	4355	4931
					43	---	1454	2101	2854	3766	4291
					46	---	---	1983	2710	3587	4090
KHM519PAG-BX	2	2992	1313	2.28	35	1375	2122	2992	4009	5228	5915
					43	---	1712	2471	3395	4520	5172
					46	---	---	2333	3231	4328	4964
KHM522PAG-BX	2.3	3386	1387	2.44	35	1635	2441	3386	4505	5834	6584
					43	---	2002	2861	3881	5099	5768
					46	---	---	2722	3706	4879	5528
R404A - 1 Phase											
KHM511PAL-BX	1.1	3409	1593	2.14	35	2280	2603	3409	4357	5344	5821
					43	---	2139	2817	3623	4458	4871
					46	---	---	2585	3355	4164	4560
KHM514PAL-BX	1.5	4262	2097	2.03	35	2907	3295	4262	5381	6541	7075
					43	---	2748	3546	4500	5493	5968
					46	---	---	3298	4226	5205	5675
R404A - 3 Phase											
KHM511PBL-EX	1.1	3776	1634	2.31	35	2304	2768	3776	4689	5517	5806
					43	---	2207	3043	3859	4606	4925
					46	---	---	2757	3551	4301	4631
KHM514PAL-EX	1.5	5150	2189	2.35	35	3205	3890	5150	6141	7190	7656
					43	---	3050	4168	5014	5963	6320
					46	---	---	3807	4661	5613	6067
KHM519PAL-EX	2	5704	2504	2.28	35	4099	4540	5704	7079	8496	9161
					43	---	3806	4770	5960	7187	7766
					46	---	---	4463	5579	6724	7246
KHM522PAL-EX	2.3	6475	2860	2.26	35	4931	5316	6475	7957	9505	10237
					43	---	4369	5421	6762	8147	8770
					46	---	---	5088	6349	7626	8196
R22 - 1 Phase											
KHJ513PAE-BX	1.3	2205	1342	1.64	35	---	---	2205	2703	3378	3748
					43	---	---	1961	2381	3019	3373
					46	---	---	---	2278	2900	3253
R22 - 3 Phase											
KHR572PBE-DX	6	9838	5039	1.95	35	---	---	9838	12975	15491	16944
					43	---	---	8065	10973	13035	14153
					46	---	---	---	9902	11917	13025

Optimally Sized Condenser Coil For Elevated Ambient Conditions

The Condensing Units come with large condenser face area & higher CFM for elevated ambient conditions. Our units are factory tested to work at a maximum ambient of 46°C.

Best-In-Class Efficiency & Reliability

Highest efficiency compressors from Copeland; reciprocating/scroll compressors which are designed to handle tropicalized ambient conditions

Silent Operation

With its optimized discharge loop, improved shell design and unique suspension design, the compressors are silent in operation. Condensing Units come with a low noise fan for minimizing the sound. The Condensing Unit structure is reinforced to prevent sound leakage.

		Power Consumption Including Fan Motor (in W)								Technical Data			
10.0	12.8	-17.8	-12.2	-6.7	-1.1	4.4	7.2	10.0	12.8	Dimensions (L X W X H) in mm	Air Flow (CFM)	No. Of Fans/ Power	Net Weight (kg)
4560	5092	509	641	769	889	993	1042	1082	1120	800 X 548 X 623	1400	1/80W	90
3963	4441	---	650	801	950	1090	1148	1215	1273				
3788	4257	---	652	806	960	1107	1173	1242	1304				
5563	6241	859	1019	1176	1326	1465	1531	1594	1657	800 X 548 X 623	1400	1/180W	90
4865	5487	---	1043	1226	1407	1581	1664	1745	1825				
4642	5240	---	1047	1236	1426	1610	1699	1787	1873				
6671	7481	888	1096	1313	1528	1727	1820	1903	1981	915 X 708 X 671	1800	1/180W	90
5881	6659	---	1055	1342	1615	1862	1970	2069	2154				
5641	6433	---	1044	1344	1629	1886	1999	2102	2186				
7393	8245	947	1166	1387	1602	1806	1902	1994	2086	915 X 708 X 671	1800	1/180W	90
6533	7330	---	1153	1430	1700	1953	2075	2183	2290				
6260	7032	---	1142	1432	1716	1984	2112	2229	2342				
6277	6721	1324	1418	1593	1747	1879	1934	1982	2018	800 X 548 X 623	1400	1/80W	90
5251	5636	---	1465	1662	1847	2017	2092	2163	2219				
4934	5294	---	---	1688	1883	2063	2144	2220	2284				
7575	8114	1704	1844	2097	2310	2474	2541	2593	2613	800 X 548 X 623	1400	1/180W	90
6401	6850	---	1884	2181	2437	2647	2731	2804	2849				
6110	6545	---	---	2200	2469	2688	2777	2852	2903				
6110	6357	1331	1445	1634	1786	1898	1952	1987	2012	800 X 548 X 623	1400	1/80W	90
5234	5519	---	1501	1714	1890	2036	2102	2157	2203				
4950	5240	---	---	1737	1918	2069	2136	2196	2248				
8153	8785	1751	1918	2189	2408	2582	2679	2782	2880	800 X 548 X 623	1400	1/180W	90
6919	7571	---	1953	2263	2528	2754	2889	3001	3122				
6619	7247	---	---	2284	2560	2799	2926	3051	3184				
9693	10380	2174	2295	2504	2669	2786	2827	2870	2857	915 X 708 X 671	1800	1/180W	90
8350	8814	---	2422	2667	2869	3027	3087	3124	3157				
7756	8232	---	---	2711	2931	3110	3185	3239	3273				
10879	11556	2409	2568	2860	3112	3313	3387	3446	3457	915 X 708 X 671	1800	1/180W	90
9330	9877	---	2651	3000	3301	3542	3636	3707	3742				
8680	9183	---	---	3029	3349	3608	3711	3793	3837				
4167	4642	---	---	1342	1415	1484	1525	1566	1608	667 X 653 X 470	1400	1/180W	90
3789	4276	---	---	1394	1477	1550	1594	1635	1675				
3670	4155	---	---	---	1498	1573	1616	1657	1696				
18414	20348	---	---	5039	5432	6157	6544	6930	7245	1048 X 655 X 676	3400	2/180W	145
15455	17009	---	---	5180	5603	6349	6751	7128	7448				
14185	15520	---	---	---	5664	6408	6807	7188	7513				

Based on a return gas temperature of 18.3°C. Power includes condenser fan.

Indoor Type -Process Chilling & Cold Rooms

SCROLL		Performance at -6.7°C Evap/35°C Ambient			Refrigeration Capacity (in W)						
Model	Nominal HP	Capacity (W)	Power (W)	COP (W/W)	Evap. Temp. / Ambient. Temp. (°C)	-15.0	-12.2	-6.7	-1.1	4.4	7.2
R404A - 3 Phase											
KHZ572PAE-EX	6	10867	5600	1.94	35	---	9168	10867	12712	14646	15817
					43	---	7850	9315	10896	---	---
					46	---	7381	8758	---	---	---
KHZ581PAE-EX	6.5	12595	5800	2.17	35	---	10545	12595	14792	17282	18600
					43	---	9110	10867	12800	14938	15964
					46	---	8582	10252	12097	---	---
KHZ576PAE-DX	10	20269	9709	2.09	35	13583	16765	20269	24114	28342	30595
					43	11564	14386	17443	20757	24375	26295
					46	10745	13514	16516	19785	23381	25303
KHZ595PAE-DX	12	23756	12798	1.86	35	15541	19580	23756	28166	32949	35494
					43	---	15773	19625	23559	27726	---
					46	---	---	18477	22501	---	---
R22 - 3 Phase											
KHZ572PAE-EX	6	11375	5035	2.26	35	---	9236	11375	13683	16134	17415
					43	---	---	---	12279	14549	15726
					46	---	---	---	11768	13978	15123
KHZ581PAE-EX	6.5	12832	5645	2.27	35	---	10445	12832	15466	18257	19710
					43	---	---	---	13879	16470	17818
					46	---	---	---	13322	15832	17144
KHZ576PAE-DX	10	20099	7884	2.55	35	---	16303	20099	24343	29059	31586
					43	---	---	19479	23603	28178	30626
					46	---	---	---	21365	25573	27821



Power Consumption Including Fan Motor (in W)										Technical Data			
10.0	12.8	-17.8	-12.2	-6.7	-1.1	4.4	7.2	10.0	12.8	Dimensions (L X W X H) in mm	Air Flow (CFM)	No. Of Fans/ Power	Net Weight (kg)
---	---	---	5400	5600	5850	6100	6200	---	---	1358 X 770 X 742	3600	2/180W	150
---	---	---	6350	6550	6750	---	---	---	---				
---	---	---	6700	6900	---	---	---	---	---				
---	---	---	5600	5800	6000	6250	6350	---	---	1358 X 770 X 742	4300	2/180W	151
---	---	---	6600	6800	7050	7250	7350	---	---				
---	---	---	7350	7550	7750	---	---	---	---				
32946	---	9150	9417	9709	10025	10348	10514	10679	---	820 X 1329 X 890	6200	2/180W	250
28295	---	10739	10992	11274	11588	11914	12084	12255	---				
---	---	11417	11607	11827	12077	12339	12476	---	---				
38159	---	12029	12387	12798	13262	13750	14006	14264	---	820 X 1329 X 890	6200	2/180W	250
---	---	---	14647	15069	15545	16047	---	---	---				
---	---	---	---	15713	16091	---	---	---	---				
18714	20040	---	4935	5035	5135	5245	5295	5350	5405	1358 X 770 X 742	3600	2/180W	150
16926	18149	---	---	---	6110	6200	6240	6285	6325				
16290	17749	---	---	---	6485	6570	6605	6640	6670				
21172	22645	---	5530	5645	5770	5900	5950	6000	6050	1358 X 770 X 742	4300	2/180W	151
19192	20580	---	---	---	6730	6845	6900	6950	6990				
18480	19836	---	---	---	7090	7200	7250	7290	7330				
34227	36981	---	7551	7884	8251	8676	8926	9204	9514	820 X 1329 X 890	6200	2/180W	250
33184	35850	---	---	8370	8751	9187	9441	9723	10036				
30168	---	---	---	---	10378	10840	11103	11392	---				

Based on a return gas temperature of 18.3°C. Power includes condenser fan.



Outdoor Type - Process Chilling & Cold Rooms

RECIPROCATING		Performance at -6.7°C Evap/35°C Ambient			Refrigeration Capacity (in W)						
Model	Nominal HP	Capacity (W)	Power (W)	COP (W/W)	Evap. Temp. / Ambient. Temp. (°C)	-17.8	-12.2	-6.7	-1.1	4.4	7.2
R22 - 1 Phase											
KHR522PQE-BX	2	3419	1532	2.23	35	1692	2570	3419	4296	5261	5789
					43	---	2091	2886	3682	4540	5018
					46	---	1908	2698	3485	4334	4802
KHR530PQE-BX	2.5	4255	1935	2.20	35	2262	3224	4255	5387	6564	7152
					43	---	2617	3586	4646	5729	6308
					46	---	2412	3393	4463	5553	6103
R22 - 3 Phase											
KHR522PQE-DX	2	3249	1400	2.32	35	1846	2457	3249	4177	5186	5710
					43	---	1969	2696	3542	4459	4952
					46	---	1799	2512	3347	4257	4733
KHR530PQE-DX	2.5	4269	1752	2.44	35	2292	3311	4269	5259	6331	6924
					43	---	2729	3577	4458	5446	5967
					46	---	2523	3363	4244	5239	5806
KHR536PQE-DX	3	5372	2247	2.39	35	2895	4088	5372	6736	8173	8921
					43	---	3377	4584	5843	7154	7822
					46	---	3089	4308	5577	6895	7573
KHR542PQE-DX	3.5	6143	2599	2.36	35	3655	4810	6143	7658	9321	10186
					43	---	4093	5283	6619	8070	8804
					46	---	3767	4868	6081	7398	8048
KHR553PQE-DX	4.5	8491	3604	2.36	35	---	6918	8491	10390	12527	13646
					43	---	6059	7597	9351	11310	12343
					46	---	---	7314	9015	10903	11897
KHR562PQE-DX	5	9866	4261	2.32	35	---	7989	9866	11954	14254	15480
					43	---	7159	8873	10772	12871	14011
					46	---	---	8547	10382	12409	13484
KHR572PQE-DX	6	10317	4745	2.17	35	---	8225	10317	12409	15570	17150
					43	---	6990	9336	11681	14026	15199
					46	---	6579	9009	11438	13512	14548

SCROLL		Performance at -6.7°C Evap/35°C Ambient			Refrigeration Capacity (in W)						
Model	Nominal HP	Capacity (W)	Power (W)	COP (W/W)	Evap. Temp. / Ambient. Temp. (°C)	-15.0	-12.2	-6.7	-1.1	4.4	7.2
R22 - 3 Phase											
KHZ521PQE-DX	2	5596	2375	2.36	35	---	---	5596	6793	8141	8883
					43	---	---	---	6130	7337	8005
					46	---	---	---	7136	7805	
KHZ538PQE-DX	2.5	9408	3649	2.58	35	---	---	9408	11413	13666	14906
					43	---	---	---	10317	12362	13496
					46	---	---	---	11904	12996	

		Power Consumption Including Fan Motor (in W)								Technical Data			
10.0	12.8	-17.8	-12.2	-6.7	-1.1	4.4	7.2	10.0	12.8	Dimensions (L X W X H) in mm	Air Flow (CFM)	No. Of Fans/ Power	Net Weight (kg)
6355	6972	1197	1388	1532	1646	1744	1793	1846	1903	908 X 350 X 602	2072	1/59W	80
5508	6047	---	1374	1558	1708	1840	1903	1970	2041				
5298	5840	---	1357	1558	1721	1861	1928	1997	2068				
7738	8334	1316	1684	1935	2155	2331	2400	2452	2483	908 X 350 X 602	2072	1/59W	82
6808	7334	---	1678	1996	2270	2486	2561	2630	2672				
6646	7187	---	1671	2010	2296	2517	2598	2660	2698				
6233	6763	1112	1246	1400	1556	1697	1754	1800	1829	908 X 350 X 602	2072	1/59W	80
5399	5863	---	1243	1436	1630	1807	1878	1944	1991				
5194	5662	---	1229	1440	1648	1834	1912	1978	2026				
7564	8274	1363	1538	1752	1978	2201	2305	2400	2481	908 X 350 X 602	2072	1/59W	82
6599	7267	---	1590	1856	2118	2353	2457	2540	2605				
6423	7113	---	1600	1872	2135	2367	2464	2545	2605				
9677	10458	1773	2027	2247	2432	2578	2635	2682	2715	1016 X 440 X 800	2637	1/250W	92
8501	9195	---	2048	2337	2591	2803	2894	2973	3039				
8258	8959	---	2042	2358	2631	2857	2951	3032	3099				
11081	12006	1890	2313	2599	2876	3121	3228	3317	3386	1016 X 440 X 800	2637	1/250W	93
9636	10418	---	2347	2700	3040	3347	3485	3593	3692				
8778	10213	---	2343	2725	3097	3436	3590	3719	3725				
14830	16076	---	3336	3604	3803	3944	4004	4036	4038	1030 X 432 X 1160	2637	2/59W	136
13404	14505	---	3649	3986	4277	4505	4597	4674	4726				
12919	13984	---	---	4105	4430	4692	4800	4891	4955				
16751	18084	---	3970	4261	4501	4680	4745	4794	4819	1030 X 432 X 1160	2637	2/59W	135
15149	16355	---	4350	4733	5067	5335	5435	5539	5613				
14617	15778	---	---	4877	5244	5547	5676	5780	5873				
18354	19557	---	4144	4745	5281	5816	6084	6435	6786	1030 X 432 X 1160	2637	2/59W	135
16535	17870	---	4264	4928	5592	6256	6588	7010	7432				
15928	17308	---	4282	4989	5696	6403	6756	7202	7647				

		Power Consumption Including Fan Motor (in W)								Technical Data			
10.0	12.8	-15.0	-12.2	-6.7	-1.1	4.4	7.2	10.0	12.8	Dimensions (L X W X H) in mm	Air Flow (CFM)	No Of Fans/ Power	Net Weight (kg)
9678	10529	---	---	2375	2481	2599	2657	2711	2759	1016 X 440 X 800	2637	1/250W	94
8723	9496	---	---	---	2936	3073	3140	3203	3259				
8528	9308	---	---	---	---	3202	3260	3312	3358				
16232	17650	---	---	3649	3821	4017	4114	4206	4289	1016 X 440 X 800	2637	1/250W	132
14712	16021	---	---	---	4537	4746	4849	4948	5037				
14170	15434	---	---	---	---	5027	5134	5237	5329				

Based on a return gas temperature of 18.3°C. Power includes condenser fan.



Milk Cooling

Designed Specifically For Milk Cooling

Optimally sized condenser coil & higher air flow to achieve pull down from 35°C to 4°C within 3 hours as per IS5708 standards. Units available for full range of BMCs starting from 500 liters to 5000 liters.

Equipped With Complete System Protection

Our Condensing Units are equipped with complete set of controls which protect it from :

- Liquid Receiver to respond for varying load conditions
- HP/LP cutouts to maintain safe working pressure
- Accumulator to prevent liquid refrigerant from

Indoor Type - BMC

RECIPROCATING		Performance at -6.7°C Evap/35°C Ambient			Refrigeration Capacity (in W)						
Model	Nominal HP	Capacity (W)	Power (W)	COP (W/W)	Evap. Temp. / Ambient. Temp. (°C)	-17.8	-12.2	-6.7	-1.1	4.4	7.2
R22 - 1 Phase											
KHR522MAE-BX	1.8	3399	1560	2.18	35	1681	2557	3399	4269	5218	5743
					43	---	2084	2873	3663	4511	4979
					46	---	1924	2693	3456	4269	4713
KHR530MAE-BX	2.4	4178	1883	2.22	35	2237	3156	4178	5274	6411	6966
					43	---	2551	3499	4505	5560	6095
					46	---	2359	3280	4265	5289	5808
KHR536MAE-FX	3	5195	2353	2.21	35	2802	3962	5195	6505	7872	8579
					43	---	3173	4396	5646	6914	7556
					46	---	2937	4145	5369	6610	7234
R22 - 3 Phase											
KHR536MAE-DX	3	5218	2321	2.25	35	2850	3996	5218	6504	7838	8532
					43	---	3285	4447	5649	6889	7521
					46	---	3047	4191	5370	6576	7193
KHR572MAE-DX	5	10168	5010	2.03	35	---	---	10168	13367	16011	17519
					43	---	---	8490	11577	13925	15213
					46	---	---	---	10659	12824	14037

SCROLL		Performance at -6.7°C Evap/35°C Ambient			Refrigeration Capacity (in W)						
Model	Nominal HP	Capacity (W)	Power (W)	COP (W/W)	Evap. Temp. / Ambient. Temp. (°C)	-17.8	-12.2	-6.7	-1.1	4.4	7.2
R22 - 1 Phase											
KHZ572MAE-EX	6	11375	5035	2.26	35	---	9236	11375	13686	16134	17415
					43	---	---	---	12279	14549	15726
					46	---	---	---	11768	13978	15123
KHZ581MAE-EX	6.5	12832	5645	2.27	35	---	10445	12832	15466	18257	19710
					43	---	---	---	13878	16470	17818
					46	---	---	---	13322	15832	17144

entering the compressor during light load conditions

- IP65 Junction box to withstand dusty & rainy climate
- Moisture indicator & liquid line solenoid valve

Superior Reliability

All our Emerson Condensing Units are 100% factory tested. We are the only company to have a dedicated lab for testing BMC as per ISO 5708 and user conditions. Our units have been successfully running in dusty environments & in ever-changing climatic conditions.

Easier To Service

Layout of components, tubing and electrical connections done to facilitate easy serviceability in field.

		Power Consumption Including Fan Motor (in W)								Technical Data			
10.0	12.8	-17.8	-12.2	-6.7	-1.1	4.4	7.2	10.0	12.8	Dimensions (L X W X H) in mm	Air Flow (CFM)	No. Of Fans/Power	Net Weight (kg)
6305	6910	1220	1400	1560	1680	1785	1835	1890	1945	820 X 586 X 625	1400	1/80W	100
5469	6003	---	1400	1585	1740	1875	1940	2005	2075				
5182	5691	---	1400	1585	1750	1895	1965	2040	2110				
7573	8150	1438	1662	1883	2093	2280	2365	2429	2486	820 X 586 X 625	1400	1/180W	120
6624	7156	---	1660	1928	2182	2411	2512	2603	2680				
6324	6841	---	1646	1929	2197	2440	2547	2644	2727				
9291	10000	1858	2115	2353	2567	2753	2832	2903	2967	935 X 793 X 685	1800	1/180W	136
8203	8856	---	2149	2439	2707	2950	3060	3160	3249				
7858	8483	---	2152	2457	2746	3008	3128	3238	3339				
9228	9935	1821	2082	2321	2533	2714	2788	2855	2910	935 X 793 X 685	1800	1/180W	136
8156	8803	---	2098	2401	2675	2913	3016	3109	3188				
7809	8433	---	2091	2417	2712	2971	3084	3186	3275				
19189	21316	---	---	5010	5388	6097	6480	6852	7156	1200 X 785 X 690	3600	2/180W	185
16543	18361	---	---	5152	5562	6293	6688	7068	7380				
15408	17058	---	---	---	5622	6361	6757	7131	7446				

		Power Consumption Including Fan Motor (in W)								Technical Data			
10.0	12.8	-17.8	-12.2	-6.7	-1.1	4.4	7.2	10.0	12.8	Dimensions (L X W X H) in mm	Air Flow (CFM)	No. Of Fans/Power	Net Weight (kg)
18714	20040	---	4935	5035	5135	5245	5295	5350	5405	1348 X 785 X 742	3600	2/180W	150
16926	18149	---	---	---	6110	6200	6240	6285	6325				
16290	17479	---	---	---	6485	6570	6605	6640	6670				
21172	22645	---	5530	5645	5770	5900	5950	6000	6050	1348 X 785 X 742	4300	2/180W	151
19192	20580	---	---	---	6730	6845	6900	6950	6990				
18480	19836	---	---	---	7090	7200	7250	7290	7330				

Based on a return gas temperature of 18.3°C. Power includes condenser fan.

Outdoor Type - BMC

RECIPROCATING		Performance at -6.7°C Evap/35°C Ambient			Refrigeration Capacity (in W)						
Model	Nominal HP	Capacity (W)	Power (W)	COP (W/W)	Evap. Temp. / Ambient. Temp. (°C)	-17.8	-12.2	-6.7	-1.1	4.4	7.2
R22 - 1 Phase											
KHR536MQE-FX	3	5365	2277	2.36	35	2850	4060	5365	6758	8232	9001
					43	---	3272	4532	5838	7190	7877
					46	---	2974	4255	5573	6931	7626
R22 - 3 Phase											
KHR536MQE-DX	3	5372	2247	2.39	35	2895	4088	5372	6736	8173	8921
					43	---	3377	4584	5843	7154	7822
					46	---	3089	4308	5577	6895	7573
KHR542MQE-DX	3.5	6141	2599	2.36	35	3654	4809	6141	7655	9318	10182
					43	---	4092	5281	6617	8067	8801
					46	---	3765	4866	6079	7396	8045
KHR553MQE-DX	4.5	8491	3604	2.36	35	---	6918	8491	10390	12527	13646
					43	---	6059	7597	9351	11310	12343
					46	---	---	7314	9015	10903	11897
KHR562MQE-DX	5	9866	4261	2.32	35	---	7989	9866	11954	14254	15480
					43	---	7159	8873	10772	12871	14011
					46	---	---	8547	10382	12409	13484

SCROLL		Performance at -6.7°C Evap/35°C Ambient			Refrigeration Capacity (in W)						
Model	Nominal HP	Capacity (W)	Power (W)	COP (W/W)	Evap. Temp. / Ambient. Temp. (°C)	-17.8	-12.2	-6.7	-1.1	4.4	7.2
R22 - 1 Phase											
KHZ521MQE-FX	3	5622	2665	2.11	35	---	---	5622	6823	8185	8943
					43	---	---	---	6194	7432	8120
					46	---	---	---	7245	7935	
R22 - 3 Phase											
KHZ521MQE-DX	3	5598	2375	2.36	35	---	---	5598	6795	8144	8886
					43	---	---	---	6132	7339	8008
					46	---	---	---	7139	7808	
KHZ538MQE-DX	5	9408	3649	2.58	35	---	---	9408	11413	13666	14906
					43	---	---	---	10317	12362	13496
					46	---	---	---	11904	12996	



		Power Consumption Including Fan Motor (in W)								Technical Data			
10.0	12.8	-17.8	-12.2	-6.7	-1.1	4.4	7.2	10.0	12.8	Dimensions (L X W X H) in mm	Air Flow (CFM)	No. Of Fans/ Power	Net Weight (kg)
9782	10591	1808	2058	2277	2463	2612	2671	2721	2757	1016 X 440 X 800	2637	1/250W	97.5
8574	9285	---	2097	2375	2624	2839	2934	3019	3092				
8327	9043	---	2100	2398	2664	2893	2991	3079	3153				
9677	10458	1773	2027	2247	2432	2578	2635	2682	2715	1016 X 440 X 800	2637	1/250W	97.5
8501	9195	---	2048	2337	2591	2803	2894	2973	3039				
8258	8959	---	2042	2358	2631	2857	2951	3032	3099				
11078	12002	1890	2313	2599	2876	3121	3228	3317	3386	1016 X 440 X 800	2637	1/250W	98
9633	10415	---	2347	2700	3040	3347	3485	3593	3692				
8775	10210	---	2343	2725	3097	3436	3590	3719	3725				
14830	16076	---	3336	3604	3803	3944	4004	4036	4038	1030 X 432 X 1160	4000	2/59W	132
13404	14505	---	3649	3986	4277	4505	4597	4674	4726				
12919	13984	---	---	4105	4430	4692	4800	4891	4955				
16751	18084	---	3970	4261	4501	4680	4745	4794	4819	1030 X 432 X 1160	4000	2/59W	132
15149	16355	---	4350	4733	5067	5335	5435	5539	5613				
14617	15778	---	---	4877	5244	5547	5676	5780	5873				

		Power Consumption Including Fan Motor (in W)								Technical Data			
10.0	12.8	-17.8	-12.2	-6.7	-1.1	4.4	7.2	10.0	12.8	Dimensions (L X W X H) in mm	Air Flow (CFM)	No. Of Fans/ Power	Net Weight (kg)
9761	10644	---	---	2665	2636	2724	2770	2816	2860	1016 X 440 X 800	2637	1/250W	95
8864	9669	---	---	---	3113	3206	3256	3306	3353				
8685	9498	---	---	---	---	3335	3373	3410	3445				
9682	10533	---	---	2375	2481	2599	2657	2711	2759	1016 X 440 X 800	2637	1/250W	95
8726	9499	---	---	---	2936	3073	3140	3203	3259				
8531	9311	---	---	---	---	3202	3260	3312	3358				
16232	17650	---	---	3649	3821	4017	4114	4206	4289	1032 X 432 X 1160	4000	2/59W	131
14712	16021	---	---	---	4537	4746	4849	4948	5037				
14170	15434	---	---	---	---	5027	5134	5237	5329				

Based on a return gas temperature of 18.3°C. Power includes condenser fan.



Frozen Food Applications

Available In R404A For Frozen Food Applications;
Evaporating Range From -37.2 to -6.7°C

Indoor Type - Frozen Foods

RECIPROCATING		Performance at -23.3°C Evap/32°C Ambient			Refrigeration Capacity (in W)						
Model	Nominal HP	Capacity (W)	Power (W)	COP (W/W)	Evap. Temp. / Ambient. Temp. (°C)	-37.2	-31.7	-23.3	-17.8	-12.2	-6.7
R404A - 1 Phase											
KHM475LAL-CX	2	1709	1046	1.63	32	901	1162	1709	2166	2678	3212
					35	---	1056	1594	2036	2526	3030
					43	---	---	1236	1634	2082	2569
					46	---	---	1147	1519	1921	2341
R404A - 3 Phase											
KHM515LAL-EX	3.75	4089	1787	2.29	32	2146	2940	4089	4908	5837	6924
					35	---	2670	3767	4545	5428	6465
					43	---	---	2932	3589	4343	5246
					46	---	---	2687	3293	3992	4837





Power Consumption Including Fan Motor (in W)						Technical Data			
-37.2	-31.7	-23.3	-17.8	-12.2	-6.7	Dimensions (L X W X H) in mm	Air Flow (CFM)	No. Of Fans/ Power	Net Weight (kg)
820	910	1046	1220	1520	1995	665 X 661 X 470	1000	1/80W	85
---	959	1099	1271	1568	2038				
---	1109	1262	1417	1689	2128				
---	---	1295	1451	1724	2163				
1652	1523	1787	2108	2561	3160	935 X 793 X 685	1800	1/180W	135
---	1786	2060	2389	2850	3456				
---	2081	2352	2682	3143	3743				
---	---	2442	2769	3226	3820				

Based on a return gas temperature of 18.3°C. Power includes condenser fan.



Food Service Applications

Indoor Type - High Med Temp

RECIPROCATING		Performance at 7.2°C Evap/35°C Ambient			Refrigeration Capacity (in W)						
Model	Nominal HP	Capacity (W)	Power (W)	COP (W/W)	Evap. Temp. / Ambient. Temp. (°C)	-17.8	-12.2	-6.7	-1.1	4.4	7.2
R134A - 1 Phase											
KFE419HAG-BX	0.15	444	240	1.85	35	170	216	260	314	393	444
					43	138	184	223	270	337	---
					46	130	175	211			---
KFE432HAG-BX	0.22	990	718	1.38	35	---	---	536	662	844	990
					43	---	---	457	569	748	875
					46	---	---	432	539	714	839
KFE444HAG-BX	0.36	1075	470	2.29	35	394	497	601	738	943	1075
					43	314	422	519	633	809	921
					46	289	398	492	605	766	873
KFN463HAG-BX	0.53	1458	625	2.33	35	---	---	894	1080	1316	1458
					43	---	---	817	993	1197	1317
					46	---	---	791	962	1154	1266
KFJ467HAG-BX	0.56	1569	700	2.24	35	494	689	900	1140	1417	1569
					43	419	586	769	982	1231	1371
					46	394	551	724	926	1166	1301
KFJ498HAG-CX	0.82	2199	988	2.23	35	983	1091	1303	1595	1978	2199
					43	865	937	1115	1375	1722	1921
					46	---	2130	1074	1359	1717	1892
R22 - 1 Phase											
KFE461HAE-BX	0.51	1603	740	2.17	35	---	---	913	1157	1447	1603
					43	---	---	794	993	1257	1411
					46	---	---	762	946	1204	1357
KFJ511HAE-BX	0.78	2909	1063	2.74	35	---	---	1598	1845	2514	2909
					43	---	---	1354	1548	2167	2534
					46	---	---	1289	1460	2062	2420

Indoor Type - Low Temp

RECIPROCATING		Performance at -23.3°C Evap/32°C Ambient			Refrigeration Capacity (in W)					
Model	Nominal HP	Capacity (W)	Power (W)	COP (W/W)	Evap. Temp. / Ambient. Temp. (°C)	-35.0	-28.9	-23.3	-17.7	-12.2
R134a - 1 Phase										
KFN372LAG-BX	0.18	205	179	1.15	32	106	149	205	275	357
					35	102	138	199	269	351
					43	87	120	179	252	333
KFN396LAG-BX	0.24	247	191	1.29	32	102	177	247	316	383
					35	99	172	239	305	369
					43	91	144	198	252	305
KFN415LAG-BX	0.32	431	365	1.18	32	176	299	431	567	708
					35	161	280	407	539	676
					43	123	231	344	464	590

		Power Consumption Including Fan Motor (in W)								Technical Data			
10.0	12.8	-17.8	-12.2	-6.7	-1.1	4.4	7.2	10.0	12.8	Dimensions (L X W X H) in mm	Air Flow (CFM)	No. Of Fans/ Power	Net Weight (kg)
505	577	150	155	170	195	225	240	260	275	352 X 290 X 250	250	1/5W	17.5
---	---	160	160	175	200	235	---	---	---				
---	---	165	170	180	---	---	---	---	---				
1161	1377	---	---	662	683	708	718	729	740	457 X 343 X 305	450	1/16W	22
1038	1246	---	---	675	700	727	741	756	769				
1000	1205	---	---	682	707	709	737	764	778				
1231	1411	310	335	365	400	440	470	495	525	410X 356 X 398	450	1/16W	23
1056	1213	315	340	375	415	465	495	530	565				
1001	1150	320	345	380	420	475	505	540	575				
1619	1800	---	---	535	560	605	625	645	650	458X 380 X 285	450	1/16W	24
1449	1600	---	---	555	590	640	660	675	680				
1389	1529	---	---	565	600	650	670	680	685				
1730	1900	320	465	540	585	650	700	775	875	457X 379 X 298	480	1/25W	34
1516	1672	325	480	560	615	680	735	810	915				
1442	1591	330	485	570	625	695	750	825	930				
2428	2673	586	665	742	829	929	988	1057	1134	476X 375 X 301	450	1/34W	35
2139	---	609	692	775	868	978	1043	1115	---				
---	---	---	701	785	880	991	1057	---	---				
1758	1922	---	---	590	620	695	740	795	850	458X 380 X 305	550	1/25W	27
1570	1743	---	---	615	650	730	780	830	885				
1521	1696	---	---	620	665	740	790	840	895				
3294	3628	---	---	884	886	989	1063	1141	1219	492X 435 X 385	700	1/34W	40
2891	3196	---	---	921	939	1048	1121	1197	1271				
2764	3056	---	---	932	954	1065	1139	1215	1288				

		Power Consumption Including Fan Motor (in W)					Technical Data			
-6.7	-35.0	-28.9	-23.3	-17.7	-12.2	-6.7	Dimensions (L X W X H) in mm	Air Flow (CFM)	No. Of Fans/ Power	Net Weight (kg)
451	142	155	179	210	230	260	412X 285 X 250	250	1/5W	19
443	146	160	181	211	234	265				
422	149	163	184	215	245	280				
445	154	171	191	215	241	269	404X 285 X 250	250	1/5W	19
428	153	172	193	217	244	273				
357	152	175	200	226	255	286				
858	275	325	365	400	430	470	401X 356 X 330	350	1/11W	21
823	278	326	368	404	438	480				
730	285	330	375	415	460	505				

Based on a return gas temperature of 18.3°C. Power includes condenser fan.

Scope Of Supply-Indoor Type

Indoor Units		Model	Compressor	Filter Drier	Fan with Grill	HP/LP
Cold Room/Process	Reciprocating	KHM511PAL-B37DA0 KHM511PBL-E57DAD	KCM511CAL-B312H KCM511CAL-E512H	✓	✓	✓
		KHM514PAL-B37DA0 KHM514PAL-E57DAD	KCM514CAL-B312H KCM514CAL-E512H	✓	✓	✓
		KHM519PAL-B37DA0 KHM519PAL-E57DAD	KCM519CAL-B312H KCM519CAL-E512H	✓	✓	✓
		KHM522PAL-B37DA0 KHM522PAL-E57DAD	KCM522CAL-B312H KCM522CAL-E512H	✓	✓	✓
		KHJ513PAE-B30820	KCJ513HAE-B420	✓	✓	✓
		KHR572PBE-D588A0	CR72KQM-TFM-233DM	✓	✓	✓
	Scroll	KHZ572PAE-E50820	ZB45KQE-TFD-524	✓	✓	✓
		KHZ581PAE-E50820	ZB48KQE-TFD-524	✓	✓	✓
		KHZ576PAL-D56DA0	ZB76KQE-TFD-551	✓	✓	✓
		KHZ595PAL-D56DA0	ZB95KQE-TFD-551	✓	✓	✓
Milk	Reciprocating	KHR522MAE-B37D21	CR22K6M-PF1-111DM	✓	✓	✓
		KHR530MAE-B37D21	CR30K6M-PF1-111DE	✓	✓	✓
		KHR536MAE-F37D21 KHR536MAE-D57D21	CR36K6M-PFZ-121DM CR36K6M-TFM-121DM	✓	✓	✓
		KHR572MAE-D5FDA5	CR72KQM-TFM-233DM	✓	✓	✓
	Scroll	KHZ572MAE-E56DA3	ZB45KQE-TFD-524	✓	✓	✓
		KHZ581MAE-E56DA3	ZB48KQE-TFD-524	✓	✓	✓
Frozen Food	Reciprocating	KHM475LAL-C3EDA4	KCM475LAL-C313H	✓	✓	✓
		KHM515LAL-E5EDA4	KCM515LAL-E513H	✓	✓	✓

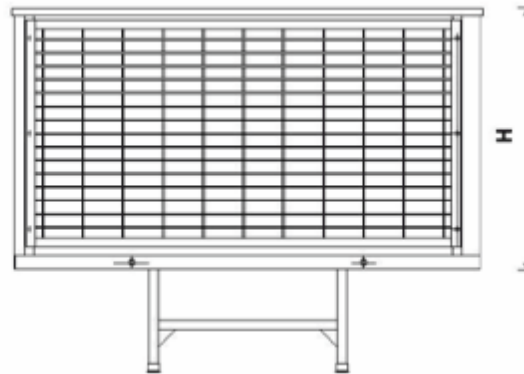
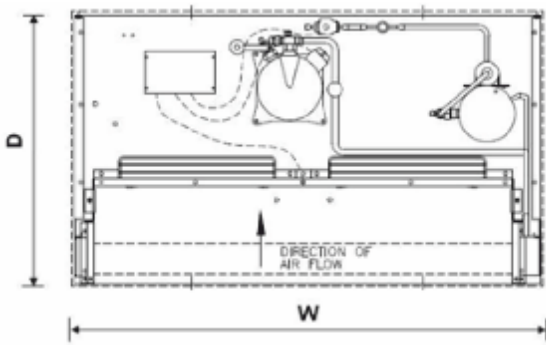
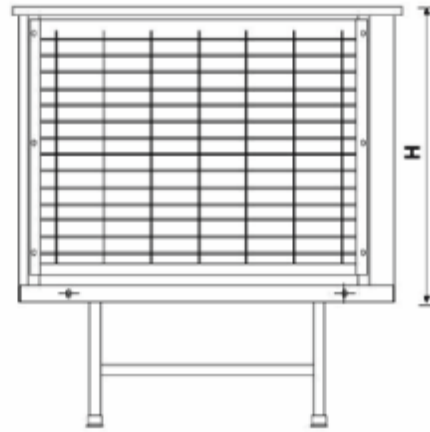
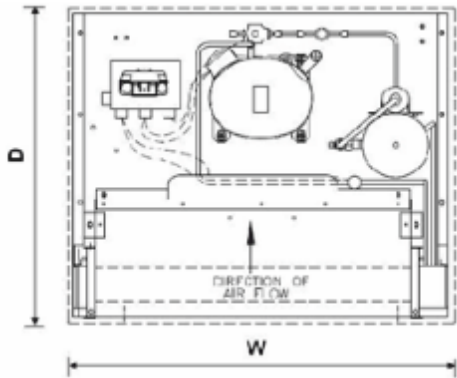
Scope Of Supply-Outdoor Type

Box Type Units		Model	Compressor	Filter Drier	Fan with Grill	HP/LP
Cold Room/Process	Reciprocating	KHR522PQE-B338D6 KHR522PQE-D538D6	CR22K6M-PF1-111DM CR22K6M-TFM-111DM	✓	✓	✓
		KHR530PQE-B338D6 KHR530PQE-D538D6	CR30K6M-PF1-111DE CR30K6M-TFM-111DM	✓	✓	✓
		KHR536PQE-D538D6	CR36K6M-TFM-121DM	✓	✓	✓
		KHR542PQE-D538D6	CR42K6M-TFM-101DM	✓	✓	✓
		KHR553PQE-D5ABAC	CR53KQM-TFD-233DM	✓	✓	✓
		KHR562PQE-D5A8AC	CR62KQM-TFD-233DM	✓	✓	✓
		KHR572PQE-D5A8AC	CR72KQM-TFM-233DM	✓	✓	✓
	Scroll	KHZ521PQE-E50820	ZB21KQE-TFD-524	✓	✓	✓
KHZ538PQE-E50820		ZB38KQE-TFD-524	✓	✓	✓	
Milk	Reciprocating	KHR536MQE-F37D21 KHR536MQE-D57D21	CR36K6M-PFZ-121DM CR36K6M-TFM-121DM	✓	✓	✓
		KHR542MQE-F37D21 KHR542MQE-D57D21	CR42K6M-PFZ-101DM CR42K6M-TFM-101DM	✓	✓	✓
		KHR553MQE-D57D21	CR53KQM-TFD-233DM	✓	✓	✓
		KHR562MQE-D57D21	CR62KQM-TFD-233DM	✓	✓	✓
	Scroll	KHZ521MQE-F37D21 KHZ521MQE-D57D29	ZB21KQE-PFJ-524 ZB21KQE-TFD-524	✓	✓	✓
		KHZ538MQE-D5FDA1	ZB38KQE-TFD-524	✓	✓	✓

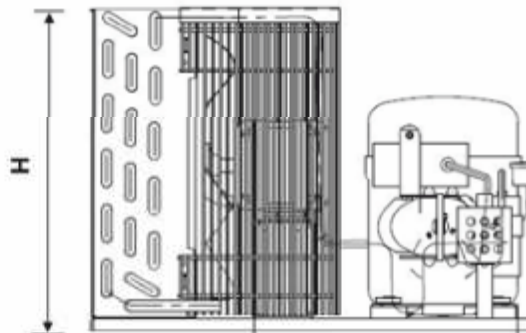
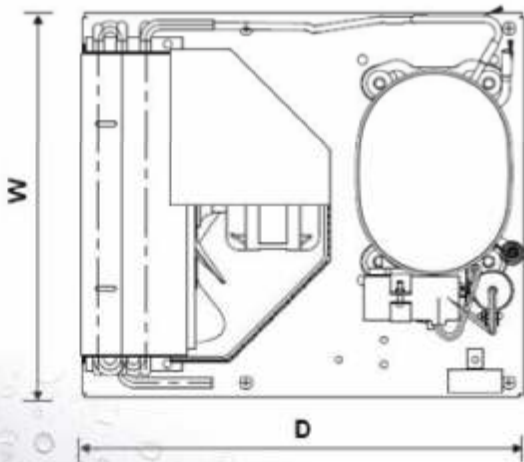
Dimensional Drawings

Indoor Type CDUs

Single/Twin Fan IHP Models

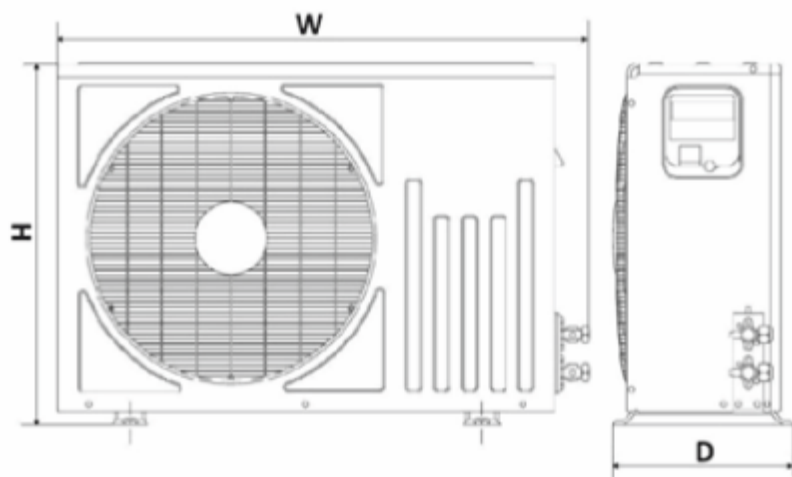


Single Fan FHP Models

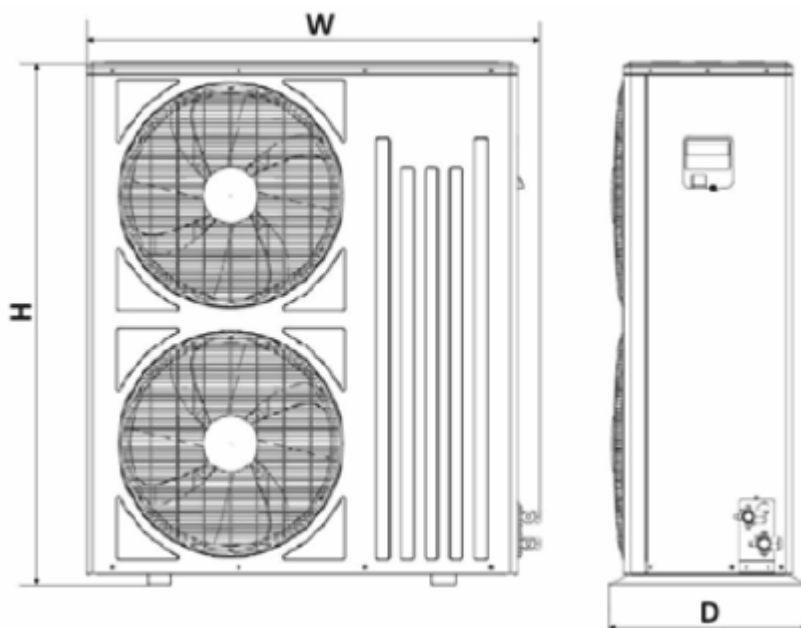


Box Type CDUs

Single Fan Models



Double Fan Models



Electrical Data

Indoor Type Condensing Units		Model	Compressor	Compressor MCC (A)	Compressor LRA (A)
Cold Room/Process	Reciprocating	KHM511PAL-B37DA0	KCM511CAL-B312H	9.5	54
		KHM511PBL-E57DAD	KCM511CAL-E512H	4.5	20
		KHM514PAL-B37DA0	KCM514CAL-B312H	13.5	72
		KHM514PAL-E57DAD	KCM514CAL-E512H	6.1	28
		KHM519PAL-B37DA0	KCM519CAL-B312H	17	85
		KHM519PAL-E57DAD	KCM519CAL-E512H	7.3	41
	Scroll	KHM522PAL-B37DA0	KCM522CAL-B312H	19	104
		KHM522PAL-E57DAD	KCM522CAL-E512H	8	45
		KHJ513PAE-B30820	KCJ513HAE-B420	11.5	36
		KHR572PBE-D588A0	CR72KQM-TFM-233DM	19.5	69
Milk	Reciprocating	KHZ572PAE-E50820	ZB45KQE-TFD-524	14.2	74
		KHZ581PAE-E50820	ZB48KQE-TFD-524	19.1	101
		KHZ576PAL-D56DA0	ZB76KQE-TFD-551	28	118
		KHZ595PAL-D56DA0	ZB95KQE-TFD-551	37	140
Frozen Food	Reciprocating	KHR522MAE-B37D21	CR22K6M-PF1-111DM	13.5	54
		KHR530MAE-B37D21	CR30K6M-PF1-111DEM	17.8	72
		KHR536MAE-F37D21	CR36K6M-PFZ-121DM	21.3	85
		KHR536MAE-D57D21	CR36K6M-TFM-121D	7.3	41
	Scroll	KHR572MAE-D5FDA5	CR72KQM-TFM-233DM	19.5	69
		KHZ572MAE-E56DA3	ZB45KQE-TFD-524	14.2	74
Frozen Food	Reciprocating	KHZ581MAE-E56DA3	ZB48KQE-TFD-524	19.1	101
		KHM475LAL-C3EDA4	KCM475LAL-C313H	13	72
Frozen Food	Reciprocating	KHM515LAL-E5EDA4	KCM515LAL-E513H	8	45



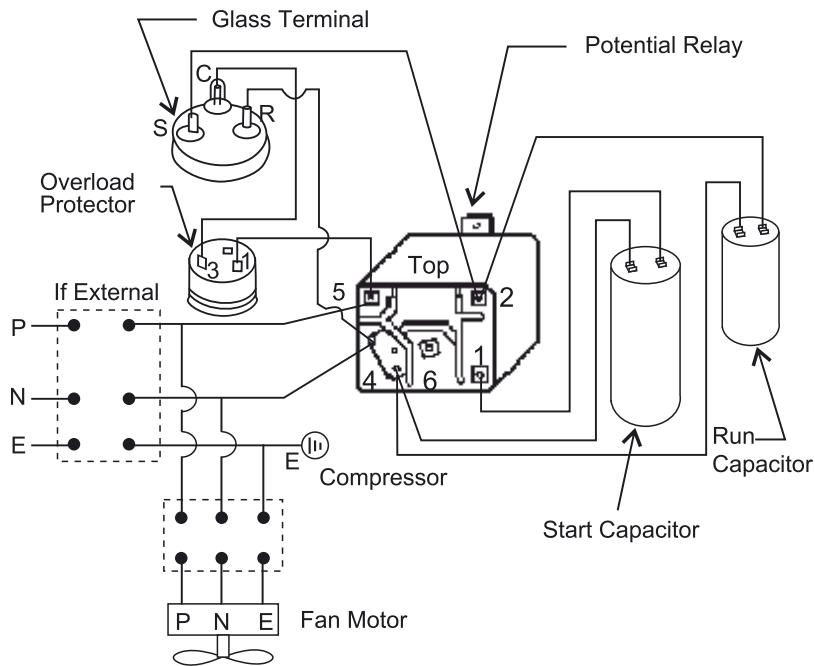
Electrical Data

Outdoor Type Condensing Units		Model	Compressor	Compressor MCC (A)	Compressor LRA (A)
Cold Room/Process	Reciprocating	KHR522PQE-B338D6	CR22K6M-PF1-111DM	13.5	54
		KHR522PQE-D538D6	CR22K6M-TFM-111DM	4.5	20
		KHR530PQE-B338D6	CR30K6M-PF1-111DE	17.8	72
		KHR530PQE-D538D6	CR30K6M-TFM-111DM	6.1	28
		KHR536PQE-D538D6	CR36K6M-TFM-121DM	7.3	41
		KHR542PQE-D538D6	CR42K6M-TFM-101DM	8	45
		KHR553PQE-D5ABAC	CR53KQM-TFD-233DM	13.8	61
	Scroll	KHR562PQE-D5A8AC	CR62KQM-TFD-233DM	16	55
		KHR572PQE-D5A8AC	CR72KQM-TFM-233DM	19.5	69
		KHZ521PQE-E50820	ZB21KQE-TFD-524	10.3	40
Milk	Reciprocating	KHZ538PQE-E50820	ZB38KQE-TFD-524	14	65.5
		KHR536MQE-F37D21	CR36K6M-PFZ-121DM	21.3	85
		KHR536MQE-D57D21	CR36K6M-TFM-121DM	7.3	41
		KHR542MQE-F37D21	CR42K6M-PFZ-101DM	24	104
		KHR542MQE-D57D21	CR42K6M-TFM-101DM	8	45
		KHR553MQE-D57D21	CR53KQM-TFD-233DM	13.8	61
		KHR562MQE-D57D21	CR62KQM-TFD-233DM	16	55
	Scroll	KHZ521MQE-F37D21	ZB21KQE-PFJ-524	21.5	82
		KHZ521MQE-D57D29	ZB21KQE-TFD-524	10.3	40
		KHZ538MQE-D5FDA1	ZB38KQE-TFD-524	14	65.5

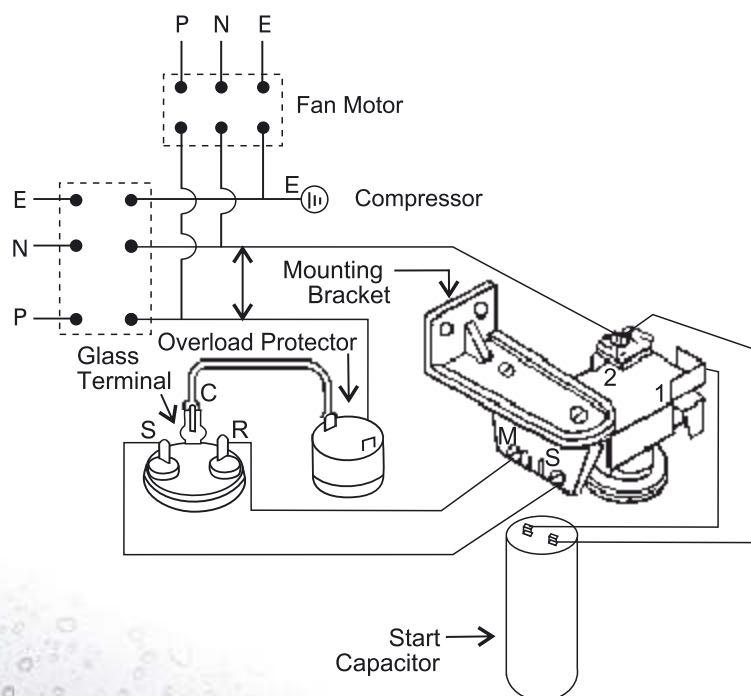
Wiring Diagrams

Fractional Horse Power Condensing Unit

Capacitor Start Capacitor Run (CSCR)



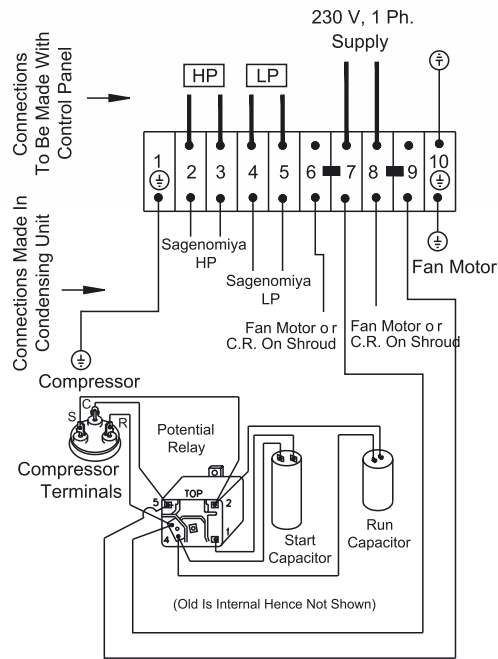
Capacitor Start Induction Run (CSIR) With Current



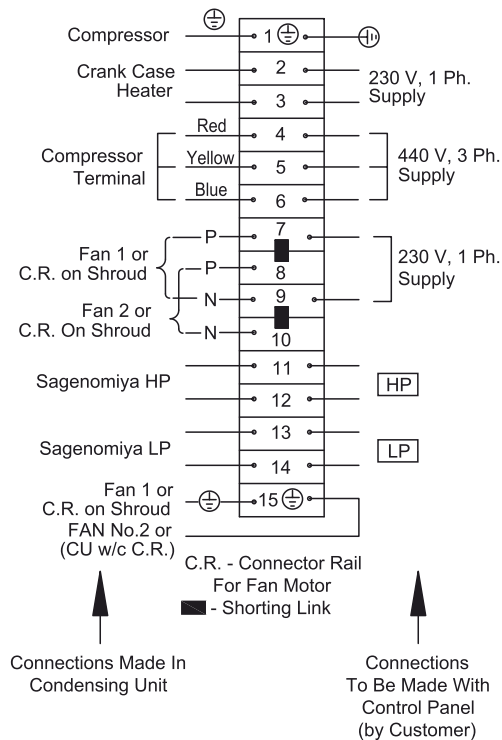
Integral Horse Power Condensing Unit

Connector Diagram

Single Phase



Three Phase



WALKIN-(+ 4 ° C Room Temperature)			
Room Size (CFT)	R22	R134a	R404A
	Model Name	Model Name	Model Name
500	KHR522PXX /MXX	-	-
800	KHR522PXX /MXX	KHM522PAG	KHM511PBL
1,200	KHR530PXX /MXX	-	KHM514PAL
1,600	KHR530PXX /MXX	-	KHM514PAL
2,000	KHR536PXX /MXX	-	KHM519PAL
	KHZ521PXX /MXX	-	
2,500	KHR542PXX /MXX	-	KHM522PAL
3,000	KHR553PXX /MXX	-	-
5,000	KHR562PXX /MXX	-	-
	KHZ538PXX /MXX	-	-
6,400	KHR572PXX /MXX	-	-
	KHZ572PXX /MXX	-	-
7,680	KHZ581PXX /MXX	-	-
8,960	KHZ581PXX /MXX	-	-
13,500	KHZ576PXX	-	-
17,000	KHZ595PXX	-	-



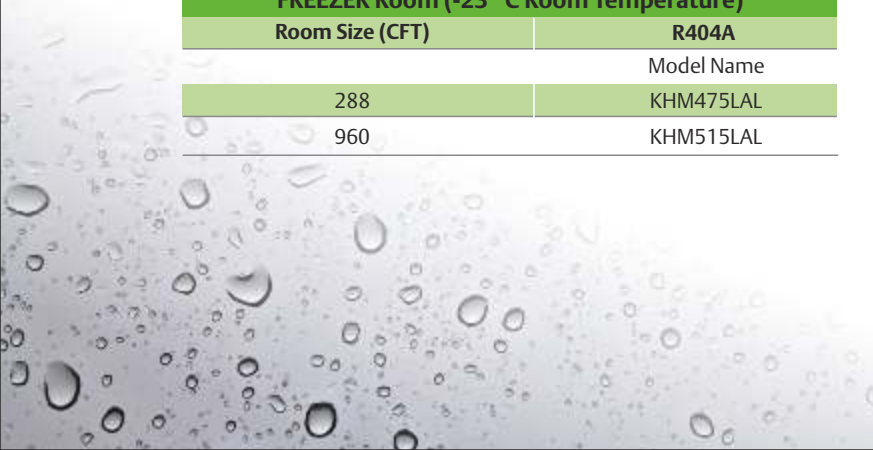
Softy Machines	
Case	Model
15	KHM511PAL
20	KHM514PAL
30	KHM519PAL
40	KHM522PAL



Bulk Milk Cooler	
BMC Capacity (Lit)	R22
	Model Name
1,000	KHR536MXX
	KHZ521MXX
2,000	KHR536MXX x 2 No.
	KHZ521MXX x 2 No.
3,000	KHR553MXX x 2 No.
3,700	KHR562MXX x 2 No.
	KHZ538MXX x 2 No.
5,000	KHR572MXX x 2 No.
	KHZ572MXX x 2 No.



FREEZER Room (-23 ° C Room Temperature)	
Room Size (CFT)	R404A
	Model Name
288	KHM475LAL
960	KHM515LAL



WATER CHILLER (15° C Inlet & 10° C Outlet)			
Flow Rate (Ltr/ Hr)	R22	R134a	R404A
	Model Name	Model Name	Model Name
600	KHJ513PXX	-	-
800	KHR522PXX /MXX	KHM519PBL	KHM511PBL
1000	KHR530PXX /MXX	-	KHM514PBL
1400	KHR536PXX /MXX	-	KHM519PBL
1600	KHR542PXX /MXX	-	-
2000	KHR553PXX /MXX	-	-
2400	KHR562PXX /MXX	-	-
2800	KHR572PBE /MXX	-	-



Deep Freezer		
Hard Top (Ltrs)	Glass Top (Ltrs)	Model
300	200	KFN372LAG-BX
400	300	KFN396LAG-BX
500	400	KFN415LAG-BX
800	600	KFN396LAG-BX x 2Nos
1000	800	KFN415LAG-BX x 2Nos



Bottle Cooler		
Capacity (Ltr)	R22	R134a
100-120	-	KFE419HAG-BX
220-250	-	KFE432HAG-BX
260-350	-	KFE444HAG-BX
350-500	KFE461HAE-BX	KFN463HAG-BX / KFJ467HAG-BX
600-800	KFJ511HAE-BX	KFJ498HAG-CX



Water cooler		
Capacity (Ltr)	R22	R134a
20	-	KFE419HAG-BX
40	-	KFE444HAG-BX
60	KFE461HAE-BX	KFN463HAG-BX / KFJ467HAG-BX
100	KFJ511HAE-BX	KFJ498HAG-CX



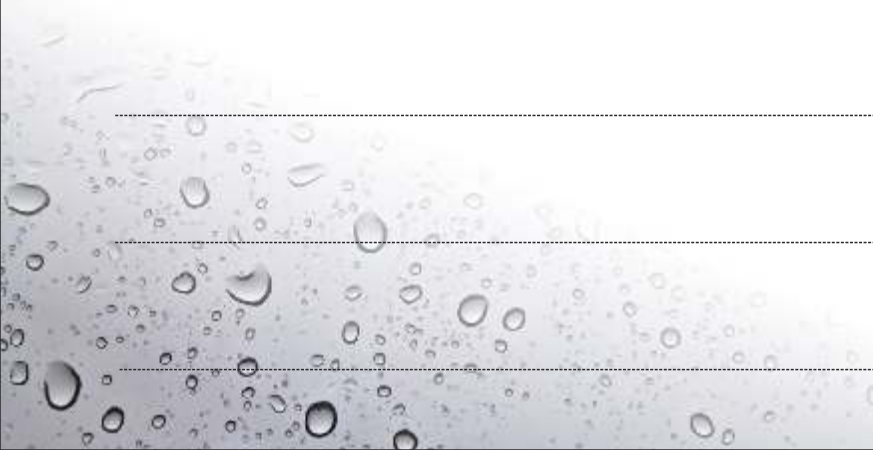
Visi Cooler	
Case	Model
2(110 Ltr)	KFE419HAG-BX
7(250 Ltr)	KFE432HAG-BX
9(400 Ltr)	KFE444HAG-BX
12(650 Ltr)	KFN463HAG-BX



Based on a return gas temperature of 18.3°C. Power includes condenser fan.

Note: These are preliminary guidelines. The actual compressor selection may differ from the guidelines. Please check the system details before selecting compressor model.

Notes



General Information

Technical data given was correct at the time of printing. Updates may occur, and should you need confirmation of a specific value, please contact Emerson Climate Technologies stating clearly the information required. Emerson Climate Technologies cannot be held responsible for errors in capacities, dimensions, etc., stated herein. Products, specifications and data in this literature are subject to change without notice. The information given herein is based on data and tests which Emerson Climate Technologies believes to be reliable and which are in accordance with today's technical knowledge. It is intended for use by persons having the appropriate technical knowledge and skill, at their own discretion and risk. Our products are designed and adapted for fixed locations. For mobile applications, failures may occur. The suitability for this has to be assured from the plant manufacturer, which may include making appropriate tests.

Note

The components listed in this catalogue are not released for use with caustic, poisonous or flammable substances. Emerson Climate Technologies cannot be held responsible for any damage caused by using these substances.

SALES OFFICES:

Gurgaon

Emerson Climate Technologies (India) Ltd.
8th Floor, Towers B&C,
DLF Cyber Terraces, DLF Building No . 5,
DLF Cyber City, Phase -III
Gurgaon-122002
Tel: (91-124) 4894 500

Mumbai

Emerson Climate Technologies (India) Ltd.
Delphi B-Wing, 601-602,
6th Floor, Central Avenue,
Hiranandani Business Park, Powai
Mumbai- 400076
Tel: (91-22) 6662 0566

Secunderabad

Emerson Climate Technologies (India) Ltd
2nd Floor, Survey No. 240, 242, 243,
Chinna Thokata, New Bowenpally,
Secunderabad-500011
Tel: (91-40) 3315 4018

WAREHOUSES:

Ahmedabad

Emerson Climate Technologies (India) Ltd.
54, Shivam Estate, S. G. Highway, Sarkhej,
Ahmedabad-382 210
Tel: (91-79) 6943 1993

Bangalore

Emerson Climate technologies (India) Limited
C/o Agility Logistics Pvt. Ltd
Shed No. 8 Survey No31,
18KM old madras Road,
Virgonagar, Bangalore-560049
Tel: (91-80) 3221 0509/501

Chandigarh

Emerson Climate Technologies (India) Ltd.
177, Industrial Area, Phase - II,
Chandigarh-160002
Tel: (91-172) 2653987

Chennai

Emerson Climate Technology (India) Ltd,
C/o. Agility Logistics Pvt Ltd,
Kanishk Warehouse, Sr. No. 204,
Vijayanallur Village Road, Nallur Village,
Cholovaram Po, Ponneri Tk, Chennai-600067.
Tel: (91-44) 4325 7796

Faridabad

Emerson Climate Technologies (India) Ltd.
3B-3B.P., NIT
Faridabad-120 001
Tel : (91-129) 2431037

Kolkata

Emerson Climate Technologies (India) Ltd.
35/7, Tollygunje Circular Road
P.S.New Alipore
Kolkata-700 053
Tel: (91-33) 2400 2779/2400 2781

Lucknow

Emerson Climate Technologies (India) Ltd.
A-5, Sector-B, Aliganj, Near CMS School,
Lucknow-226 024
Tel: (91-522) 2337812

Mumbai

Emerson Climate Technologies (India) Ltd.
Unit No. 59, Ground Floor, 'AA' Wing,
Building No.1, at Kailas Industrial complex,
CTS No. 1/7 & 1/11, Veer Savarkar Marg,
Near Hiranandani Park,
Vikhroli (West), Mumbai-400 079
Tel: (91-22) 4270 8001

New Delhi

Emerson Climate Technologies (India) Ltd.
56, Rama Road Industrial Area
Nr. Mahindra Showroom
New Delhi-110 015
Tel: (91-11) 4575 1000

Secunderabad

Emerson Climate Technologies India Limited,
C/o: Agility Logistics Pvt. Ltd, # 8-122, Devaryamjal Road,
Kompally, Shameerpet Mandal, Ranga Reddy Dist.,
Secunderabad-500014,
Tel: (91) 92470 00174/90006 49871

REGISTERED HEAD OFFICE

Emerson Climate Technologies (India) Limited
Plot No. 23, Rajiv Gandhi Infotech Park, Phase - II, Hinjewadi, Pune-411 057
Tel: (91-20) 4200 2000, Fax: (91-20) 4200 2099

PLANT

Atit Pali Road, Atit - 415 519, Maharashtra
Tel: (91-2162) 224200, Fax: (91-2162) 262069

COLD CHAIN & DISTRIBUTION CENTER

Emerson Climate Technologies (India) Limited Plot No. G-8/3, Block M.I.D.C.
Chakan Industrial Area, Phase - III, Taluka : Khed. Dist : Pune-410 501
Tel: (91- 2135) 653550

HELP DESK:

☎ 1800-209-1700
✉ ClimatIndia@Emerson.com

Emerson logo is a trademark and a service mark of Emerson Electric Co. ©2014 Emerson Electric Co. All rights reserved.

Copeland[™]
brand products


EMERSON[™]
Climate Technologies

EMERSON. CONSIDER IT SOLVED.